



682

Nylon Brush Heavy Duty Mortise Automatic Door Bottom

PRODUCT CUT SHEET

Material

Aluminum Alloy 6063, T5 Temper
Synthetic Polymer: Polyamide
Nylon Brush is Gray

- ▶ Excellent Abrasion Resistance, Flexibility and Memory
- ▶ Moisture Resistant
- ▶ Retains Insecticides Well
- ▶ Temperature Range -70°F to 425°F
- ▶ Not Effective Against Water Penetration
- ▶ Use with a Threshold for Maximum Sealing Capability
- ▶ Nylon Brush Recommended for Carpet Applications Where No Threshold is Provided
- ▶ Specify Exact Net Length Required to Avoid Field Sizing
- ▶ 36" and Longer May Be Cut Up To 4" in the Field, Under 36" Should Not Be Cut in the Field, Order Net Length
- ▶ Furnished 1/2" Shorter Than Ordered to Fit Within Net Door Size. (i.e. 36" is Furnished 35 1/2")
- ▶ Anodized Aluminum End Caps Furnished Standard. DKB End Caps Available - Please Specify
- ▶ Mortise Required 1" x 2 1/8"
- ▶ Available 11" to 60" in Length
- ▶ #4 x 5/8" SMS Furnished
- ▶ 7/8" Max Drop

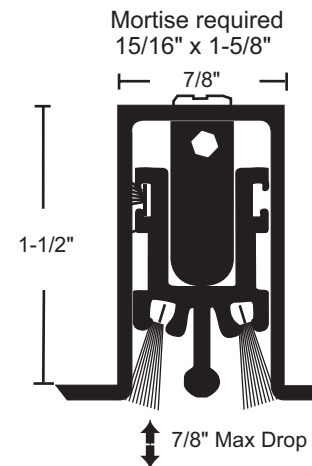
** Up to 3 hrs. metal doors, 45 minute wood doors (does not fit mortise restrictions of some wood door manufacturers)*

Finish

Mill Aluminum



PROJECT:
SUBMITTED BY:
DATE:
NOTES:



NGP-GKT-682-PCS-1220-A