



9225

180-Minute Steel Strike Shim

PRODUCT CUT SHEET

Fits 2 3/4" "T" Strike Plate

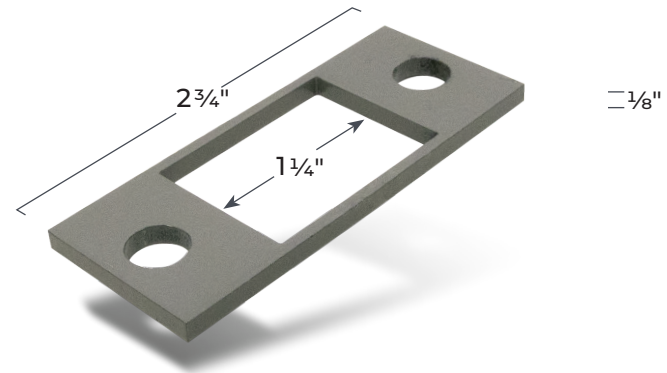


UL CERTIFIED FOR USE IN
THE US AND CANADA

- ▶ Required for Proper Latch-bolt Engagement
- ▶ UL Certified Solution for 20 thru 180-Minute Fire Doors with Excessive Clearance Between Door and Frame Over 1/8", up to 9/16"
- ▶ Can be Combined with GAP 90, GAP90N, 9200, or 9750 to Achieve the Required Latch Engagement

FINISH:

Gray



PROJECT:
SUBMITTED BY:
DATE:
NOTES:

NGP-GAP-9225-PCS-0526-A

NATIONAL GUARD PRODUCTS, INC.

MEMPHIS

4985 East Raines Road
Memphis, TN 38118

CARSON CITY

3689 Arrowhead Drive
Carson City, NV 89706

Fax: (800) 255-7874

Email: info@ngp.com

Quotes: quotes@ngp.com

Orders: orders@ngp.com

ngp.com
1-800-NGP-RUSH