

GAPGUARD STRIKE SHIMS

180-MINUTE STRIKE SHIMS



UL CERTIFIED FOR USE IN THE US AND CANADA

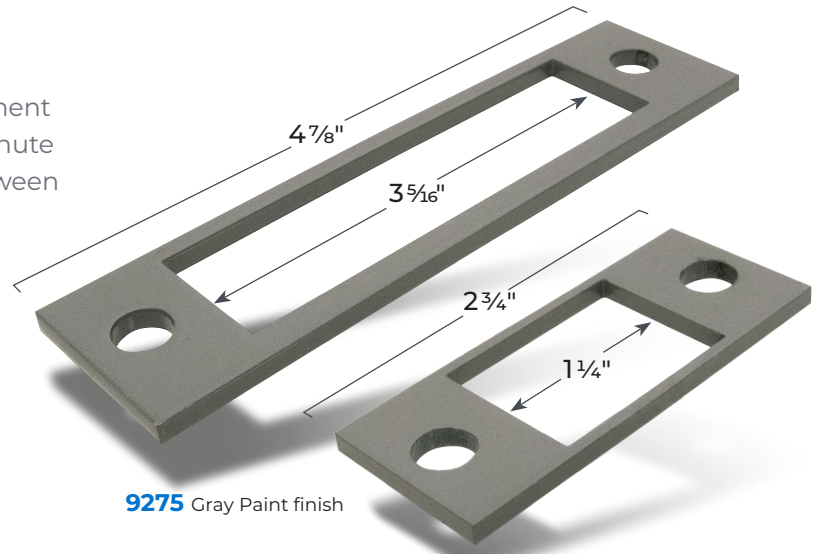
9275 - Fits 4 7/8" 'ASA' Strike Plate

9225 - Fits 2 3/4" 'T' Strike Plate

- Required for Proper Latch-bolt Engagement
- UL Certified Solution for 20 thru 180-Minute Fire Doors with Excessive Clearance Between Door and Frame Over 1/8", up to 1/16"
- Can be Combined with GAP 90, GAP90N, 9200, or 9750 to Achieve the Required Latch Engagement



POSITIVE PRESSURE TESTED
MISCELLANEOUS FIRE DOOR
ACCESSORY

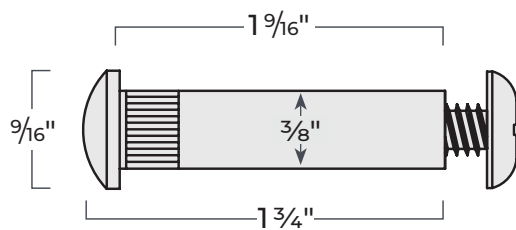


9275 Gray Paint finish

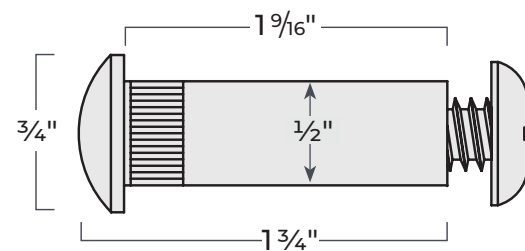
9225 Gray, Paint finish

GAPGUARD THRU-BOLTS

- Meets NFPA 80 Requirements for Filling Open Holes in Fire Doors with Steel Fasteners
- Zinc-Plated Steel Thru-Bolt Sleeve with Steel Machine Screw
- Fits 1 3/4" to 2" Thick Doors
- Available in Boxes of Twenty



FDTB 3/8"
Thread Size 1/4-20



FDTB 1/2"
Thread Size 5/16-18