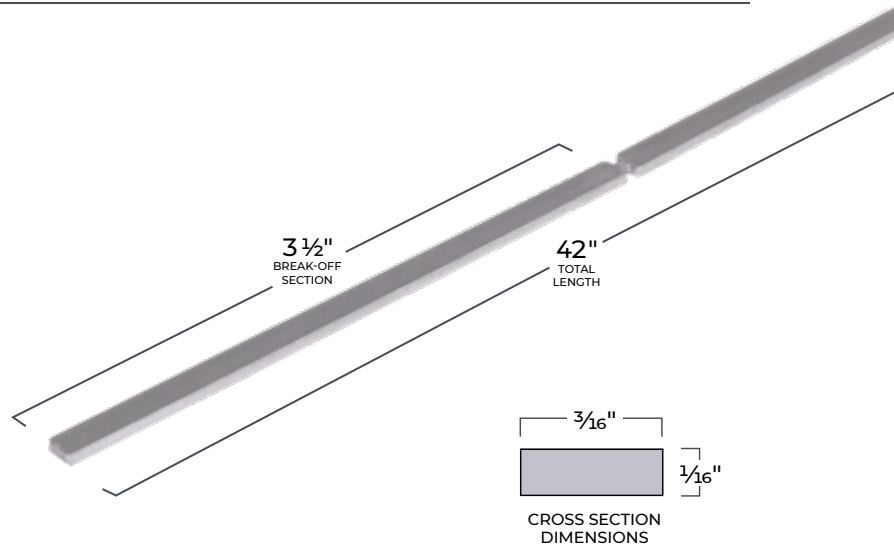


STEEL HINGE SHIMS



HS-1

- ▶ Use to Shim Hinges to Achieve Required Clearances Between Door and Frame
- ▶ Dual Purpose Shim
 - Use Full 42" Length for Continuous Hinges
 - Break-Off 3 1/2" Sections for Butt Hinges
- ▶ Steel Fire-Rated Shims
- ▶ Pressure Sensitive Adhesive Pads Included for Holding in Place During Installation
- ▶ Removable, Re-Stickable, and Stackable
- ▶ Available in Boxes of Ten



UL Certified Miscellaneous Fire Door Accessory

9945EC & 9945NEC

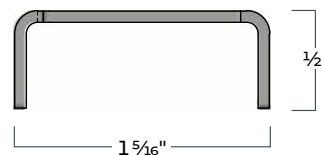
END CAPS



For Use on GAP90 and GAP90N Steel Stop Extender Components 9945 and 9945N.

- ▶ Use to Cap the Exposed Open End of the Steel Stop Extender When Cut at Rim Panic Strike or Other Hardware
- ▶ Sold in 10 packs

Sold flat, tabs must be formed prior to use.



9945EC



9945NEC

