

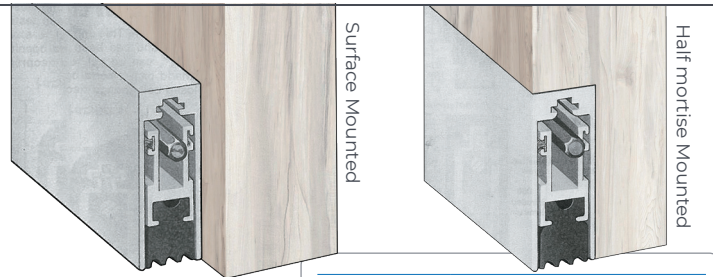
# AUTOMATIC DOOR BOTTOMS

## HEAVY-DUTY SURFACE

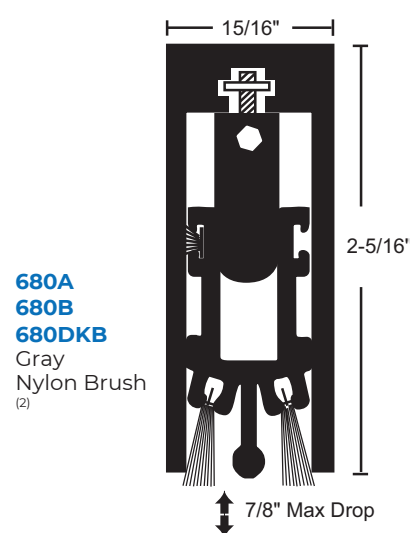
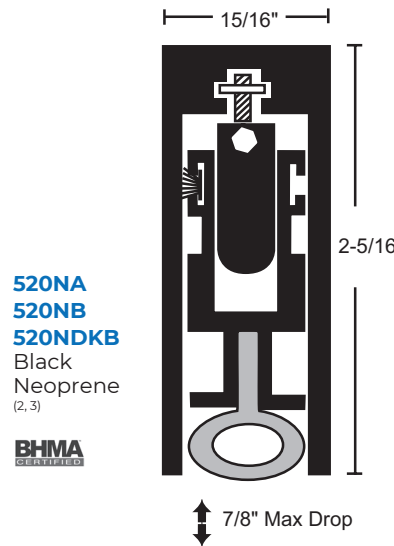
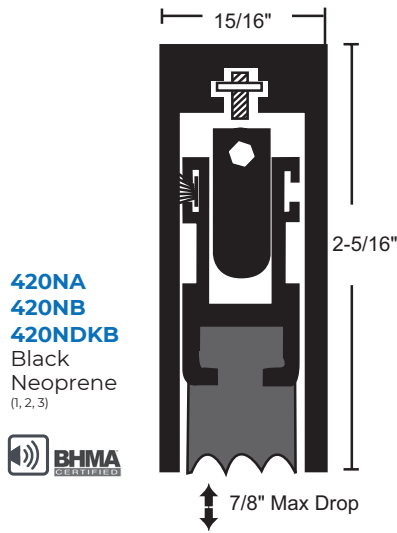
All Products on this Page:



- Mounts on Push Side of Door
- Use with a Threshold for Maximum Sealing Capability
- Nylon Brush Recommended for Carpet Applications Where no Threshold is Provided
- Specify Exact Net Length Required to Avoid Field Sizing
- 36" and Longer may be Cut up to 4" in the Field, under 36" should not be Cut in the Field, Order Net Length
- Minimum Length 11", Maximum Length 60"
- End Caps Furnished Standard



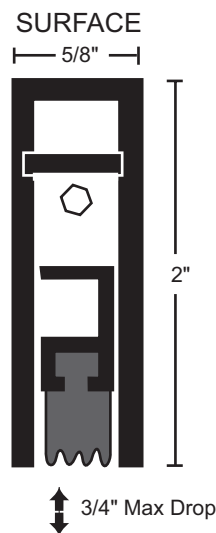
PRODUCT#	SUFFIX	FINISH
	<b>A</b>	Anodized Aluminum
	<b>B</b>	Gold
	<b>DKB</b>	Dark Bronze
	<b>None</b>	Mill Aluminum



## E-Z TOUCH

- The EZ-Touch Door Bottom Requires Only 3 to 5 Pounds of Pressure to Activate
- Perfect for Accessibility Applications and Still Provides an Effective Seal
- Available 23 1/4" Net to 48" in Length
- End Caps Furnished Standard

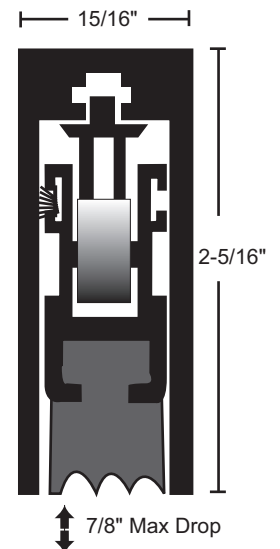
<b>223NA</b>	Black Neoprene
<b>223NB</b>	Black Neoprene
<b>223NDKB</b>	Black Neoprene
<b>223SA</b>	Gray Silicone
<b>223SB</b>	Gray Silicone
<b>223SDKB</b>	Gray Silicone



## SLIDING OR POCKET DOORS SURFACE OR HALF MORTISE - HEAVY-DUTY

- Designed for use on Sliding or Pocket Doors. A Series of Actuating Bars Keep the Seal Parallel to the Sill or Threshold Until the Door is in the Closed Position
- Available 11" to 144" in Length
- End Caps Not Available

<b>421NA</b>	Black Neoprene <sup>(1)</sup>
<b>421NB</b>	Black Neoprene <sup>(1)</sup>
<b>421NDKB</b>	Black Neoprene <sup>(1)</sup>



1. 1/16" Thick Lead Insert Available – Specify "Lead-Lined".  
 2. For Half Mortise Applications Specify HM in Item Number Prior to Finish (ie: 420NHMDKB).  
 3. BHMA Certified to ANSI/BHMA A156.22, 1,000,000 Cycle Test-Grade 1.