

# AUTOMATIC DOOR BOTTOMS

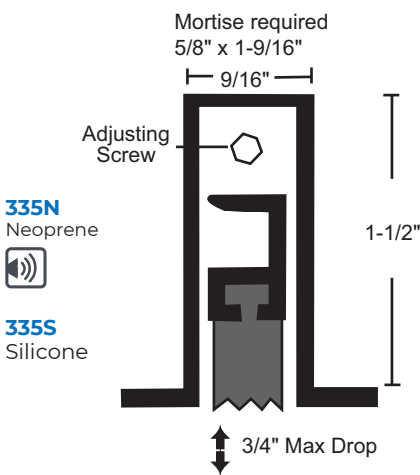
## MORTISE

All Products on this Page:



- Use with a Threshold for Maximum Sealing Capability
- Nylon Brush Recommended for Carpet Applications where no Threshold is Provided
- Specify Exact Net Length Required to Avoid Field Sizing
- 36" and Longer may be Cut up to 4" in the Field, under 36" should not be Cut in the Field, Order Net Length
- End Caps Furnished Standard
- Furnished 1/2" Shorter than Ordered to Fit within Net Door Size. (i.e. 36" is Furnished 35 1/2")

**335N**  
Mill Aluminum Mortise Automatic Door Bottom with Neoprene Seal

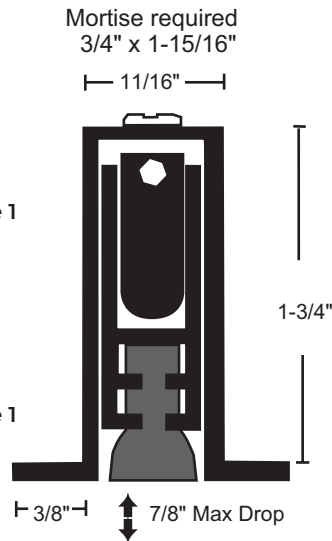


**225N**  
Neoprene <sup>(1)</sup>  
**BHMA**  
BHMA certified to ANSI/BHMA A156.22, 1,000,000 cycle test-grade 1

**225S**  
Silicone <sup>(1)</sup>  
**BHMA**  
BHMA certified to ANSI/BHMA A156.22, 1,000,000 cycle test-grade 1

**225WH**  
Nylon Brush

Available 11" to 60" in Length  
1. 1/16" Thick Lead Insert Available - Specify "Lead-Lined".



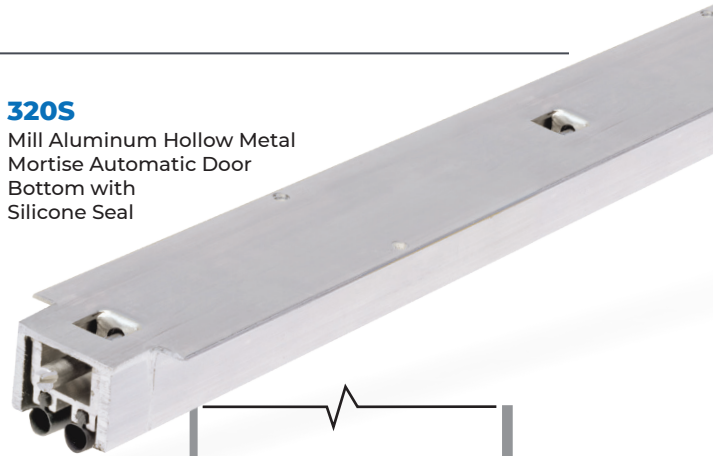
Neoprene & NGP-TPV are Black  
Silicone, Nylon Brush & Vinyl are Gray

Available 23-1/4" Net to 48" in Length  
Fits Wood Fire Door Mortise Restrictions

## HOLLOW METAL DOORS

- Fits in 1 5/8" x 3/4" Channel. A "Furring Strip" may be used to Lower Automatic Door Bottom when a Deeper Channel is Used
- Furnished 1/2" Shorter than Ordered to Fit within Net Door Size. (i.e. 36" is Furnished 35 1/2") Length
- May be Field Cut up to 4"
- Fire Ratings Apply to Metal Doors Only
- #4 x 5/8" SMS Furnished. End Caps not Available
- Available 24" to 48" in Length

**320S**  
Mill Aluminum Hollow Metal Mortise Automatic Door Bottom with Silicone Seal



**320N**  
NGP-TPV

**320S**  
Silicone

**320V**  
Vinyl

