

# AFDL-SS, AFDL-T-SS

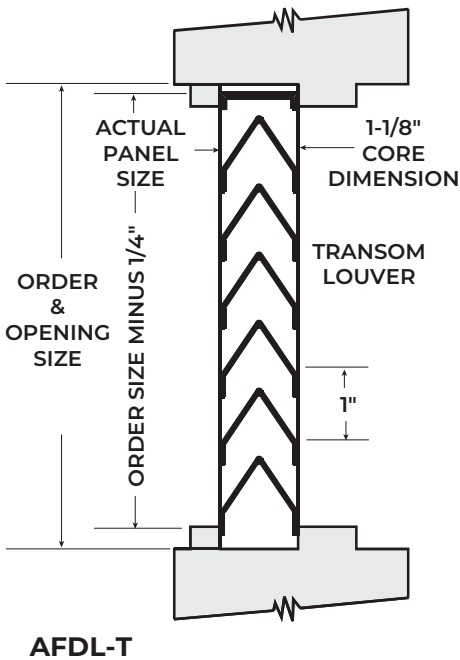
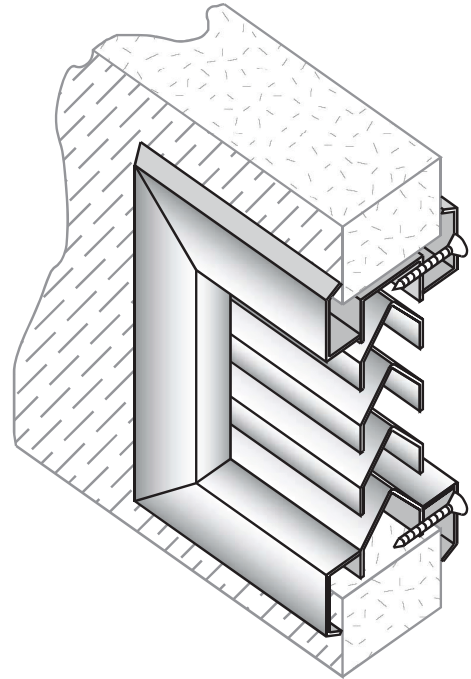
## STAINLESS STEEL NO VISION DOOR LOUVER

### FOR 1 3/4" THICK DOORS

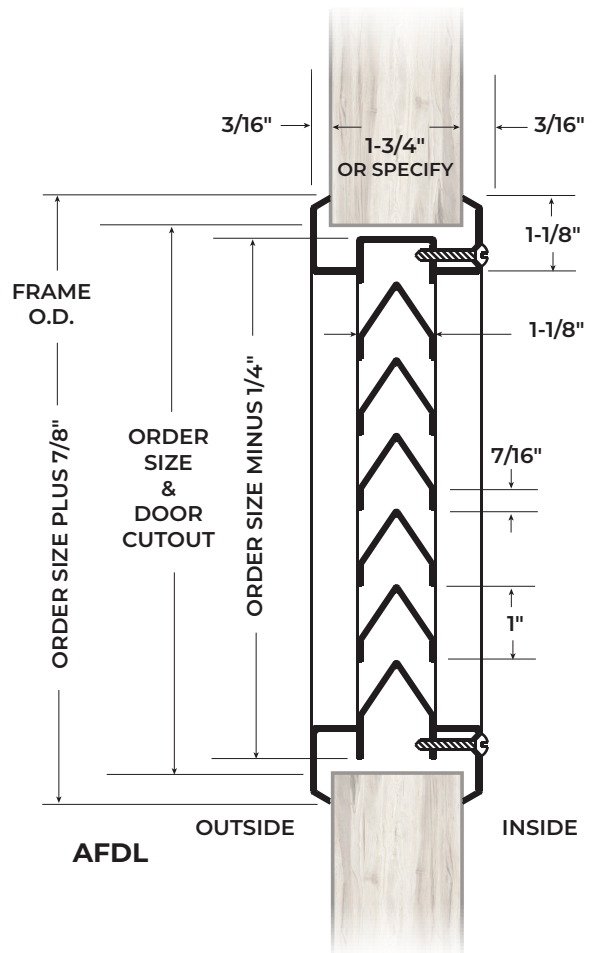
- ▶ 18 Ga. Type 304 Stainless Steel Frame
- ▶ Mitered and Welded Corners
- ▶ Inverted "Y" Design
- ▶ Blades 22 Ga. Type 304 Stainless Steel
- ▶ Counter-Sunk Mounting Screw-Holes
- ▶ #8 X 1" Phillips Head SMS
- ▶ Available in Uneven and Fractional Sizes
- ▶ Free Area 50%
- ▶ #4 Satin Finish

### Available Options

- ▶ Type 316 Stainless Steel – Specify AFDL-316SS, AFDL-T-316SS
- ▶ Aluminum Insect Screen - 22 Ga. 1/8" Square Mesh Installed on Exterior Side Unless Requested Otherwise
- ▶ Torx Security Screws



*For Use in Transoms  
Sidelites or Borrowed Lites*



*Not To Scale*