

# BR-7

## THRU-BOLTED SECURITY LITE KIT

### FOR 1 3/4" UP TO 2 1/4" THICK DOORS AND 3/16" UP TO 1 13/16" GLASS

- ▶ 7 Ga. Cold Rolled Steel Face Plate Outer Frame
- ▶ 10 Ga. Hot Rolled Pickled & Oiled Steel SG-10 Inside Frame for Glass up to 1" Thick
- ▶ 12 Ga. Hot Rolled Pickled & Oiled Steel SG-10 Inside Frame for Glass Over 1" Thick
- ▶ Countersunk Mounting Screw-Holes
- ▶ #8-32 Torx Security Pin Screw Thru-Bolts
- ▶ Gray Primer (GPZ) Powder Coat Finish

#### Required Information:

- ▶ Specify Door Thickness if Other Than 1 3/4"
- ▶ Specify Glass Thickness

#### Available Options

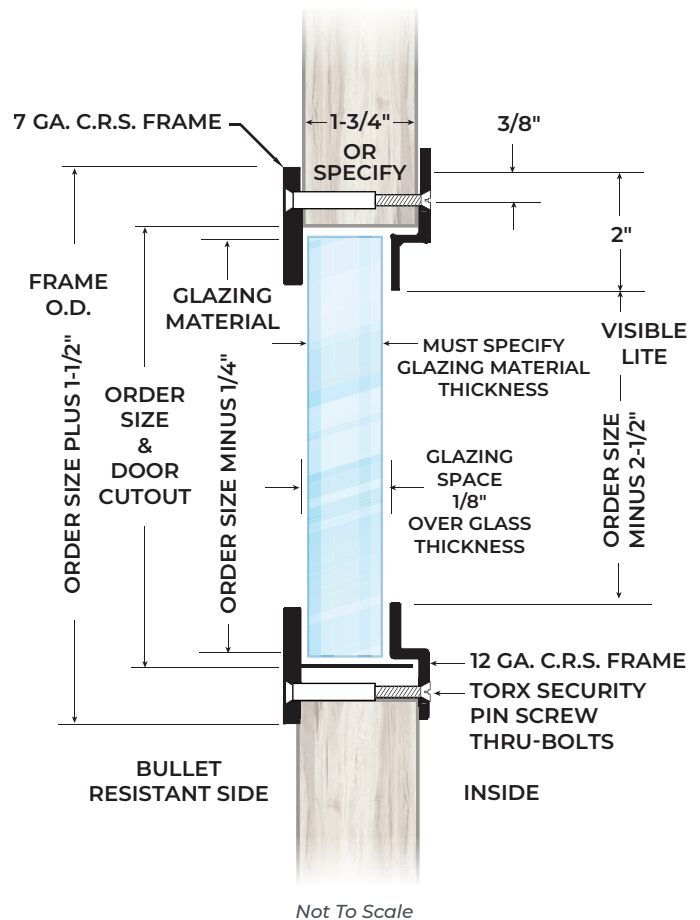
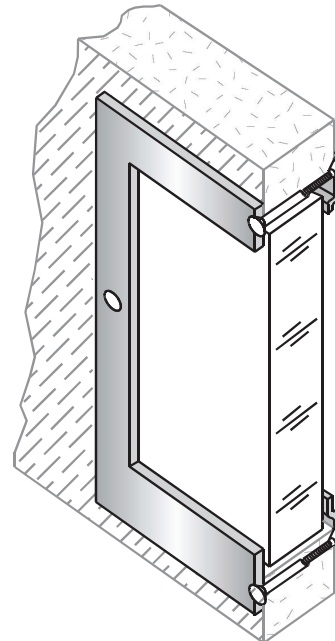
- ▶ Powder Coat Color Options - See Page L3
- ▶ Zinc Electroplating

#### Ballistic Rated

- ▶ UL752 Level III as Part of Ballistic Door Assemblies

#### Impact Ratings

- ▶ Tested in Compliance with ASTM F-1450



Designed for Use on Doors Manufactured Within Door Industry Tolerance of +/- 1/16".