

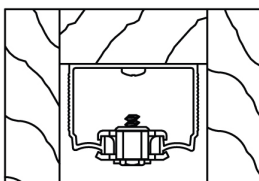
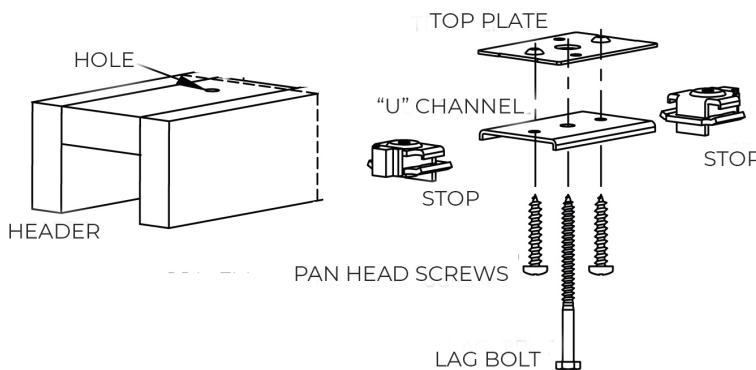
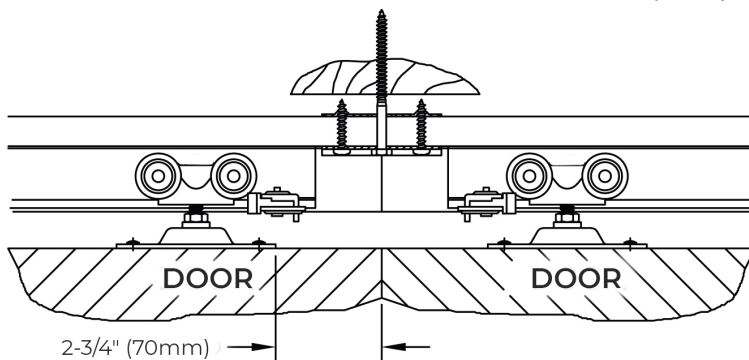
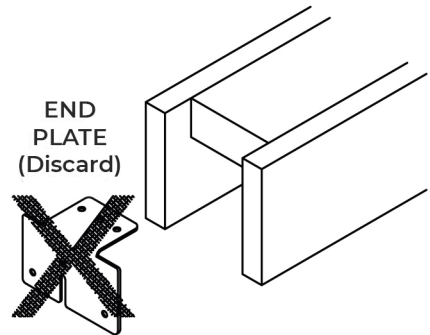
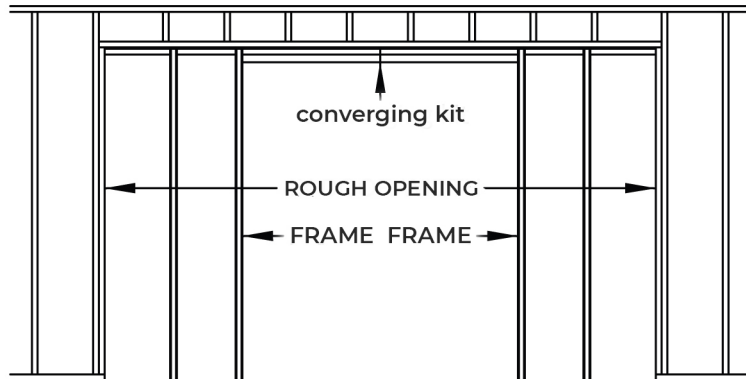


For the complete list of Aluminum Sliding Door Hardware, the most up-to-date product information and installation instructions, scan the QR code or visit [ngp.com](http://ngp.com).



# CONVERGING DOOR KIT

## INSTALLATION INSTRUCTION



### For Joining Two Door Frames

Remove and discard end plates from "door opening" end of each header.

1. Butt the ends together and insert "U" channel, aligning the ends of the headers with the center mark stamped within channel. Using channel as a guide, drill two  $\frac{3}{16}$ " (4.7mm) holes through both headers at the outer channel holes. Insert the screws through these holes and into top plate on top of header.
2. Drill a  $\frac{1}{4}$ " (6.3mm) hole at the channel center where the header ends meet to enable the lag screw to be fastened into the rough header for increased center support.
3. Insert stops into the track and leave loose until the doors are hung, then tighten. Proceed with regular frame assembly instructions.

NGP-SLI-CON-PRI-0622-A



**NGP MEMPHIS**  
4985 East Raines Road  
Memphis, TN 38118  
[orders@ngp.com](mailto:orders@ngp.com)

**NGP VEGAS**  
4584 Calimesa Street  
Las Vegas, NV 89115  
[vegasorders@ngp.com](mailto:vegasorders@ngp.com)

**ngp.com**  
1-800-NGP-RUSH