

# FDLS-SS

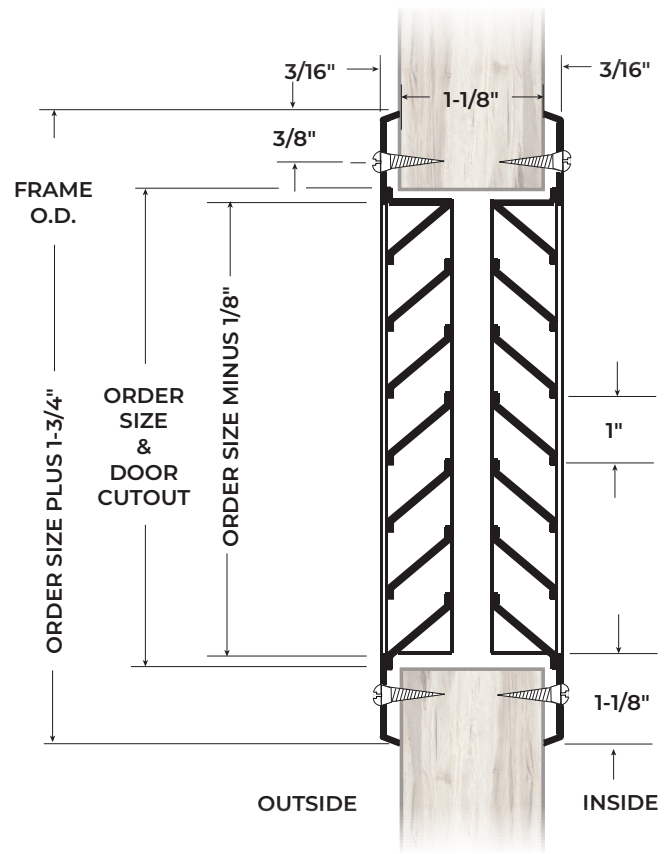
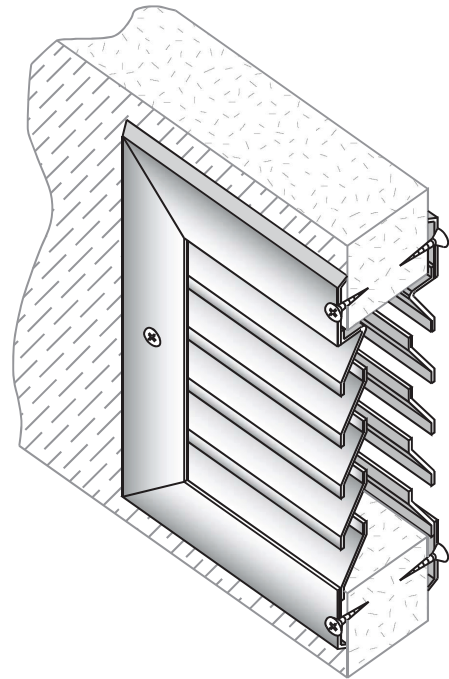
## STAINLESS STEEL INVERTED SPLIT Y NO VISION DOOR LOUVER

### FOR 1 1/8" AND OVER THICK DOORS

- ▶ 18 Ga. Type 304 Stainless Steel
- ▶ Mitered and Welded Corners
- ▶ Counter-Sunk Mounting Screw-Holes
- ▶ #8 X 3/4" Phillips Head SMS
- ▶ Available in Uneven and Fractional Sizes
- ▶ Free Area 50%
- ▶ #4 Satin Finish

### Available Options

- ▶ Type 316 Stainless Steel – Specify FDLS-316SS
- ▶ Aluminum Insect Screen - 22 Ga. 1/8" Square Mesh Installed on Exterior Side Unless Requested Otherwise
- ▶ Torx Security Screws



Not To Scale