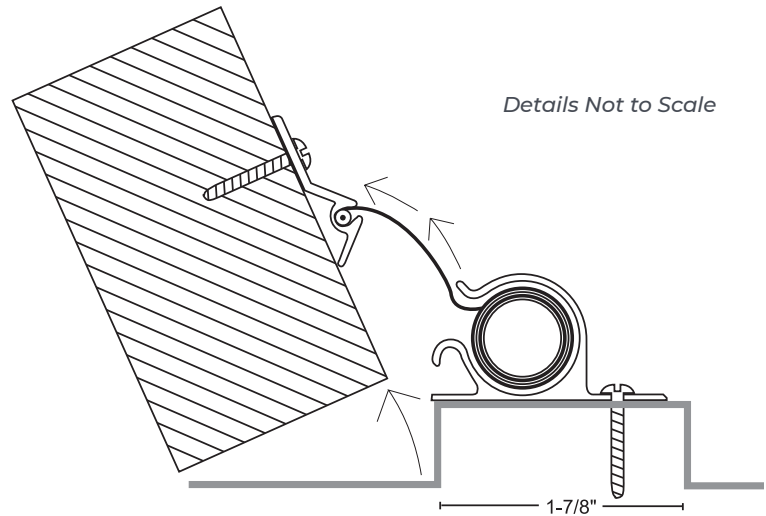


FINGER GUARD

*Up To 3 Hours
Metal Doors,
1-Hour Wood Doors



Finger Guard is Designed to Help Prevent Injury to Fingers Accidentally Placed in the Hinge Area of a Door. This Unique Product Features an Internal Spring Mechanism That Maintains Constant Tension Against the Polyethylene Fabric Which Helps Prevent Fingers From Entering the Dangerous Area Behind the Edge of the Door.



- ▶ Ideal for Senior & Childcare Facilities
- ▶ Anodized Aluminum Housing
- ▶ Durable "Endless Cycle" Spring Mechanism
- ▶ Fire-Resistant Woven Polyethylene Fabric
- ▶ Rated Up To 3 Hours Metal Doors, 1-Hour Wood Doors
- ▶ 82" for 7' Door Opening
- ▶ 38" Dutch Door Size
- ▶ Custom Lengths 12" up to 86" Available. Order 2" Less Than Opening Height to Allow for the Stop on the Door Frame Head and Door Bottom Undercut
- ▶ Not Field Sizable
- ▶ Mounts on Push Side of Door
- ▶ Suitable for Doors Swinging Up To 180 Degrees
- ▶ #6 x 1/2" Tek Self-Drilling Screws Furnished

Door Shown in Open Position



SKU	DESCRIPTION
2248A	Aluminum Clear Anodized with White Polyethylene
2248DKB	Dark Bronze/Black Anodized with Black Polyethylene

Available in 38", 76", 82" and 86" Standard Lengths