

# FLDL-SG1

## STORM PRO™ FIRE-RATED FUSIBLE LINK LOUVER

### FOR 1 3/4" THICK DOORS UP TO 90 MINUTES

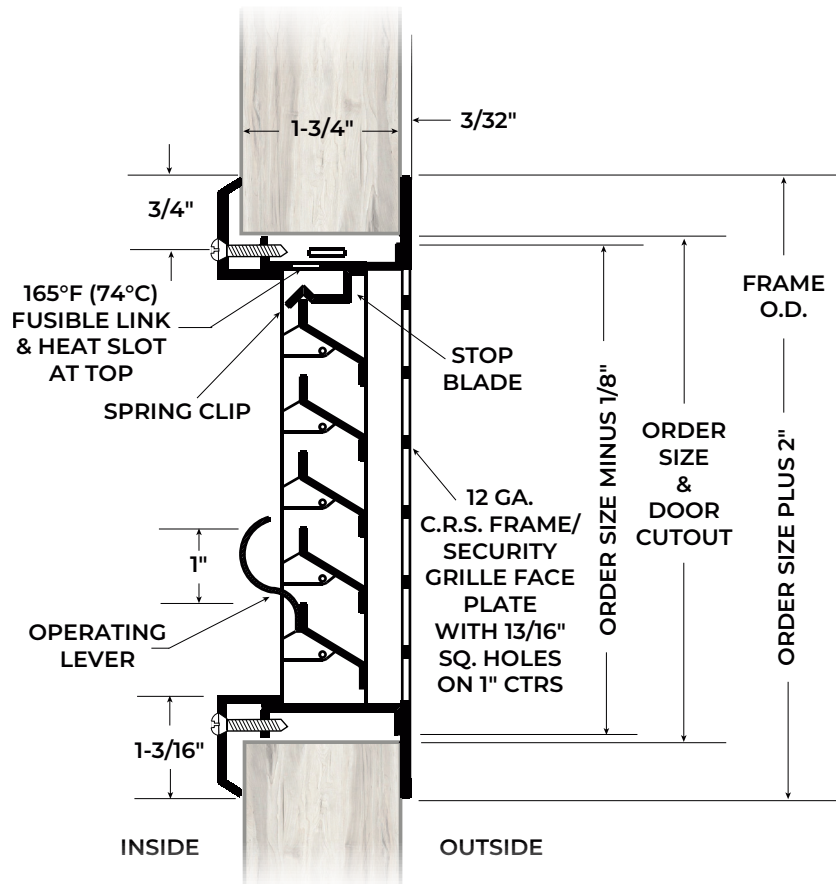
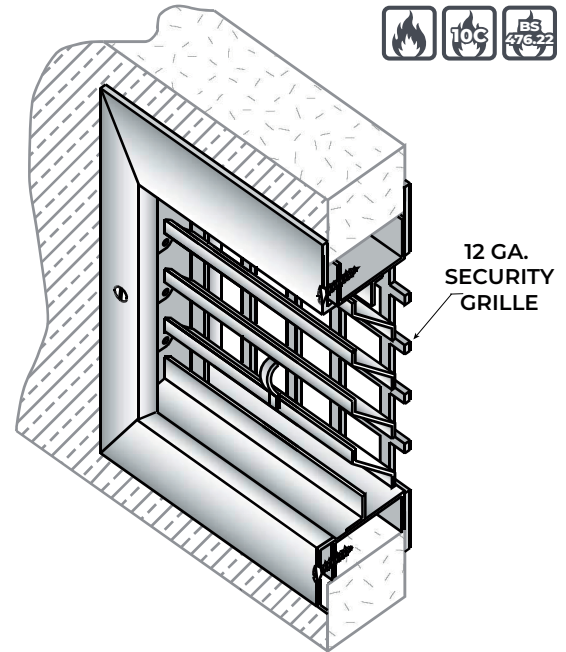
- ▶ Blades Close When Activated By Fire/Heat
- ▶ 18 Ga. Cold Rolled Steel Frame
- ▶ 18 Ga. Cold Rolled Steel Adjustable "Z" Blades
- ▶ 12 Ga. Cold Rolled Steel Security Grille One Side
- ▶ Mitered Corners Secured With Reinforcing Clips
- ▶ Stainless Steel Spring
- ▶ 165° Fusible Link
- ▶ #8 x 1" Torx Security Pin Screws
- ▶ Free Area 40%
- ▶ Gray Primer (GPZ) Powder Coat Finish
- ▶ Available in Whole Inch Increments:  
Minimum size: 10" x 6"  
Maximum size: 24" x 30"

### Available Options

- ▶ Powder Coat Color Options - See Page L3
- ▶ Aluminum Insect Screen - 22 Ga. 1/8" Square Mesh  
Installed on Exterior Side
- ▶ Galvanneal - A40 Steel Frame and  
Blades (Security Grille not Available  
in Galvanneal)
- ▶ Type 316 Stainless Steel – Specify  
FLDL-SG1-316SS,  
Stock Sizes:  
12" x 12" 18" x 12" 18" x 18"  
24" x 12" 24" x 18" 24" x 24"

### Windstorm Rated

- ▶ Louver for Use in Windstorm-Rated  
Assembly in Accordance with  
ANSI/ASTM E330, ANSI/ASTM E1886,  
ASTM E1996, AAMA/WDMA/CSA  
101/I.S.2/A440, FEMA 320, FEMA 361  
and ICC 500.  
Design Pressure = +/- 70 PSF  
Large Missile Impact = 350 ft. lbs.  
Hazard - Hurricane
- ▶ Maximum Size for Hurricane Use is  
24" x 24" (610mm x 610mm)



Not To Scale