

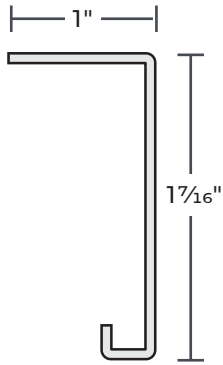
# GAP90N™

FIRE DOOR HEAD AND JAMB GAP SOLUTION FOR NARROW SOFFIT



UL Certified Solution for Fire Doors with Excessive Clearance Between Door and Frame Over  $\frac{1}{8}$ " , up to  $\frac{5}{16}$ " and a Soffit Measuring  $\frac{1}{2}$ " to  $1\frac{1}{2}$ ".

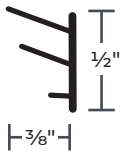
## PRODUCT CONSISTS OF:



### 9945N

Steel Stop Extender

- ▶ 16-Gauge, Gray Primer Finish
- ▶ Furnished with #10 X 1" TEK SMS
- ▶ Patent No.: US9,273,510B2
- ▶ Embossed with **UL Mark**



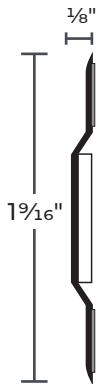
### 5075

Self-Adhesive TPE Seal

5075B BROWN

5075CL CLEAR\*

5075W WHITE



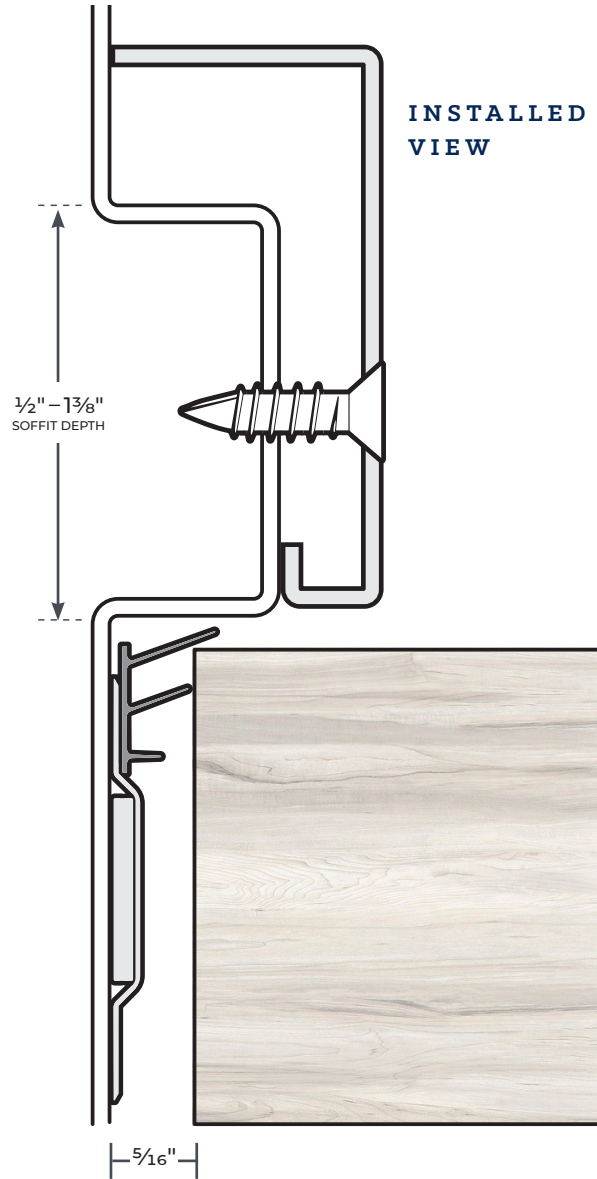
### 9400

NGP-Edge® Intumescent Seal with PVC Cover

9400 GRAY

9400DKB BROWN

9400W WHITE



90-Minute rated UL Certified Miscellaneous Fire Door Accessory on UL10B and UL10C wood or hollow metal fire doors.

An NGP Strike Shim 9275 or 9225 may also be required for proper latchbolt engagement.

Doors with parallel arm closers — use 9990 Fire Door Top Gap Solution.

GAP90N™ INCLUDES 9945N, 9400, 5075CL

GAP90NDKB™ INCLUDES 9945N, 9400DKB, 5075B

GAP90NW™ INCLUDES 9945N, 9400W, 5075W

Available in 36", 48", 84" and 96" Lengths