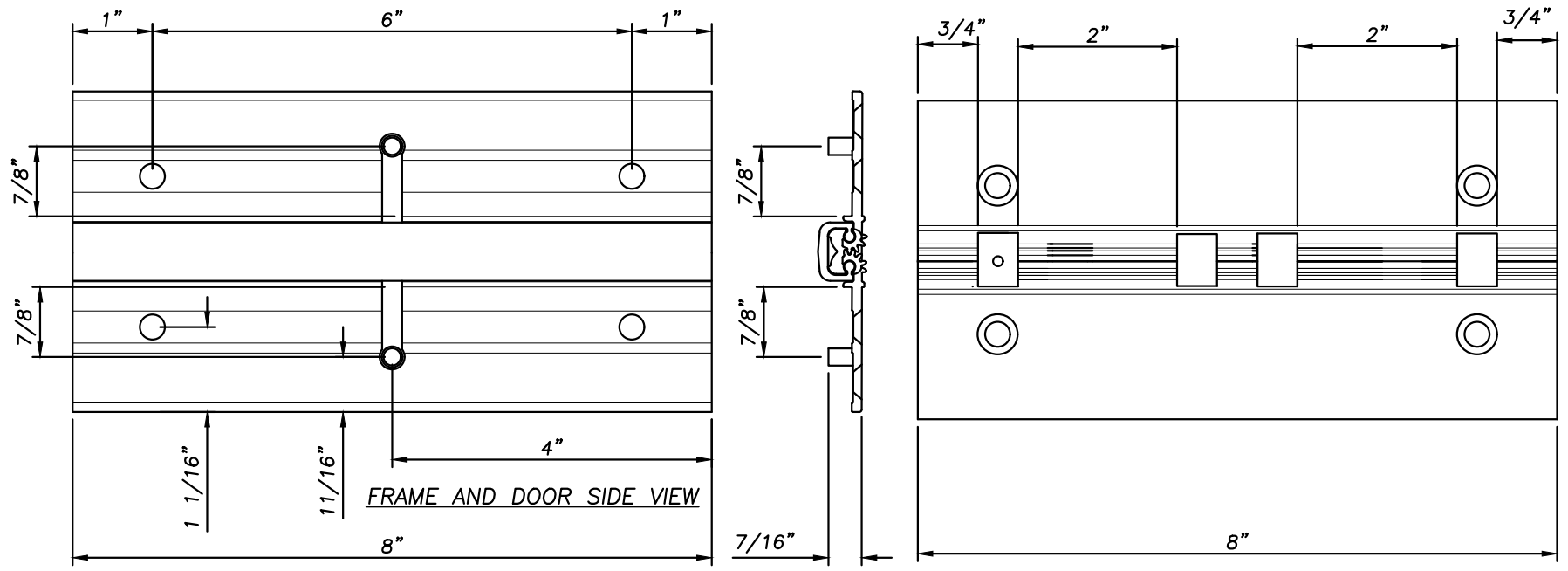


COMPANY:
 ACCOUNT#
 ADDRESS:
 ADDRESS:
 PHONE:
 FAX:
 CONTACT:

| REVISIONS | | | |
|-----------|-------------|------|--------|
| REV. | DESCRIPTION | DATE | APPR'D |
| | | | |
| | | | |
| A | | | |

HD1100 X ETW8 & ETW12 DIMENSIONS FRONT, BACK AND PROFILE VIEW

DRILL 3/4" HOLE IN FRAME AND DOOR TO ACCEPT WIRES FOR ETW8 & ETW12.




AVAILABLE FINISHES:

- A = CLEAR STAIN ANODIZED
- DKB = DARK BRONZE ANODIZED

*FOR DOOR UNDERSIZING, PLEASE REFER TO THE INSTALLATION INSTRUCTIONS

TOLERANCE = ALUMINUM ASSOCIATION

| | | | | |
|---|------------------|---|--------|--|
|  | | NATIONAL GUARD PRODUCTS, INC. 4985 EAST RAINES ROAD MEMPHIS, TN 38118 PHONE (800) 647-7874 FAX (800) 255-7874 | | |
| | | TITLE: HD1100 X ETW8 & ETW12 DIMENSIONS | | |
| DRAWN BY: ANNE BAUMANN | FSCM NO. | DWG NO. 1 | SIZE A | |
| SCALE: HALF | DATE: 01/08/2024 | SHEET: 1 OF 1 | REV A | |