



HD5400

Half Surface Continuous Geared Hinge

PRODUCT CUT SHEET

PROJECT:
SUBMITTED BY:
DATE:
NOTES:

$\frac{3}{32}$ " Door Inset for $1\frac{3}{4}$ " to $2\frac{1}{4}$ " Doors

- ▶ Aluminum Alloy 6063-T6; Anodized After Machining
- ▶ Specially Designed Involute Intermeshing Gears
- ▶ Proprietary Teflon Infused Self-Lubricating Wear-Resistant Bearings
- ▶ No Hinge Reinforcement Necessary Except on Extremely Heavy, Extremely High-Frequency or Extra-Wide Doors
- ▶ Lifetime of the Door Opening Warranty
- ▶ Frame Leaf: #12-24 TEK Flat Head MS
- ▶ Door Leaf: #12-24 TEK Pan Head MS and $\frac{1}{4}$ "-20 Thru-Bolts
- ▶ Standard Lengths: 83", 85", 95", 119"

Options:

- ▶ #12 x $1\frac{1}{2}$ " Wood Screws
- ▶ Torx Security TEK & T.B. M.S.
- ▶ $1\frac{1}{2}$ " Torx Security Wood Screws
- ▶ Cut to Net Length - Specify Door Handing
- ▶ Anti-Ligature Hospital Tip - Specify "TIPIT-LG"
- ▶ Dutch Door Prep - Specify Door Handing, Top Door Leaf Length, and Clearance Between Leafs
- ▶ EPT prep – order form available on ngp.com

Finishes:

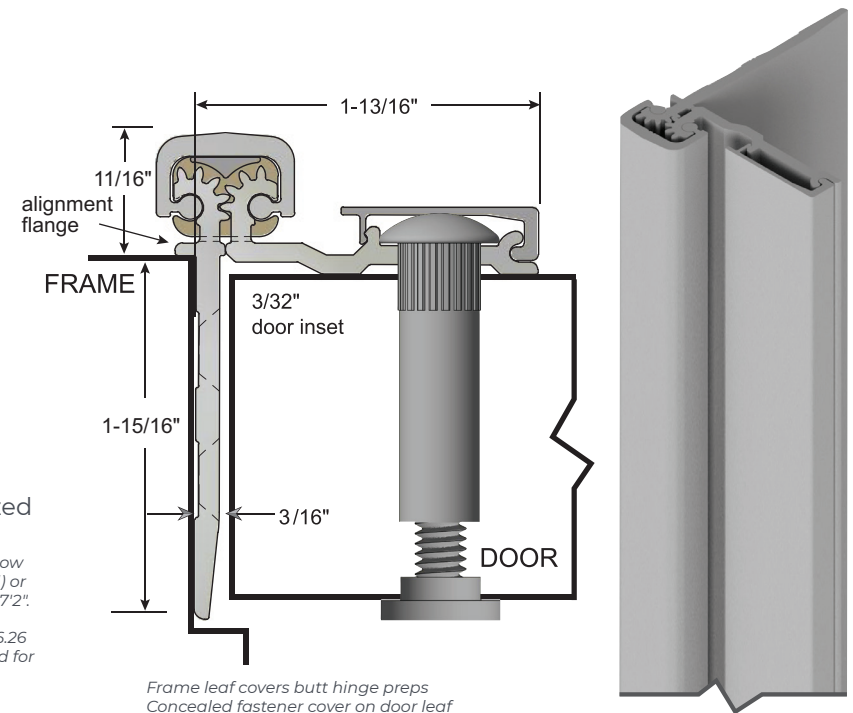
- A - Anodized Aluminum
- DKB - Dark Bronze Anodized



Fire-rated 90 minute on hollow metal (except steel stiffened) or wood door leaves up to 4'0" x 7'2".



ANSI/BHMA Certified to A156.26 American National Standard for Continuous Hinges: Grade 1 - 600 lb. Door



Note: For Door Sizing Refer to Installation Instruction.

NGP-CHG-HD5400-PCS-0324-A

NATIONAL GUARD PRODUCTS, INC.

MEMPHIS

4985 East Raines Road
Memphis, TN 38118

CARSON CITY

3689 Arrowhead Drive
Carson City, NV 89706

Fax: (800) 255-7874

Email: info@ngp.com

Quotes: quotes@ngp.com

Orders: orders@ngp.com

ngp.com
1-800-NGP-RUSH