



# HD5700

## Full Surface Continuous Geared Hinge

### PRODUCT CUT SHEET

PROJECT:
SUBMITTED BY:
DATE:
NOTES:

#### 1/16" Door Inset for 1 3/4" to 2 1/4" Doors

- ▶ Aluminum Alloy 6063-T6; Anodized After Machining
- ▶ Specially Designed Involute Intermeshing Gears
- ▶ Proprietary Teflon Infused Self-Lubricating Wear-Resistant Bearings
- ▶ No Hinge Reinforcement Necessary Except on Extremely Heavy, Extremely High-Frequency or Extra-Wide Doors
- ▶ Lifetime of the Door Opening Warranty
- ▶ Frame Leaf: #12-24 TEK Flat Head MS
- ▶ Door Leaf: #12-24 TEK Pan Head MS and 1/4"-20 Thru-Bolts
- ▶ Standard Lengths: 83", 85", 95", 119"

#### Options:

- ▶ #12 x 1 1/2" Wood Screws
- ▶ Torx Security TEK & T.B. M.S.
- ▶ 1 1/2" Torx Security Wood Screws
- ▶ Cut to Net Length - Specify Door Handing
- ▶ Anti-Ligature Hospital Tip - Specify "TIPIT-LG"
- ▶ Dutch Door Prep - Specify Door Handing, Top Door Leaf Length, and Clearance Between Leafs

#### Finishes:

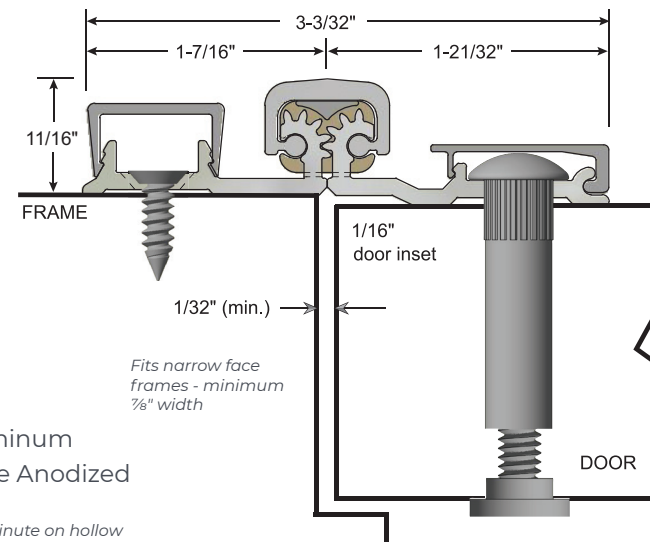
- A - Anodized Aluminum
- DKB - Dark Bronze Anodized



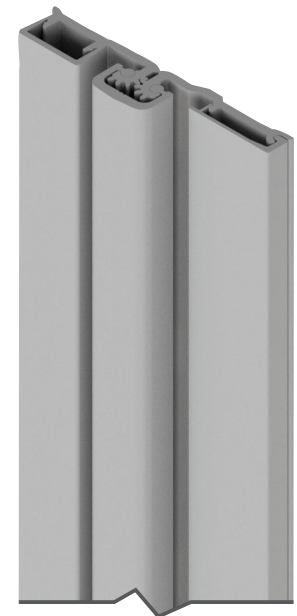
Fire-rated 90 minute on hollow metal (except steel stiffened) or wood door leafs up to 4'0" x 7'2".



ANSI/BHMA Certified to A156.26 American National Standard for Continuous Hinges: Grade 1 - 600 lb. Door



Concealed fastener covers on both leafs



Note: For Door Sizing Refer to Installation Instruction.

NGP-CHG-HD5700-PCS-0324-A

#### NATIONAL GUARD PRODUCTS, INC.

##### MEMPHIS

4985 East Raines Road  
Memphis, TN 38118

##### CARSON CITY

3689 Arrowhead Drive  
Carson City, NV 89706

Fax: (800) 255-7874

Email: info@ngp.com

Quotes: quotes@ngp.com

Orders: orders@ngp.com

**ngp.com**  
1-800-NGP-RUSH