



LO-FP-IS



Round Lite Kit

For 1 $\frac{3}{8}$ " or 1 $\frac{3}{4}$ " Door, $\frac{3}{16}$ " to 1" Glass

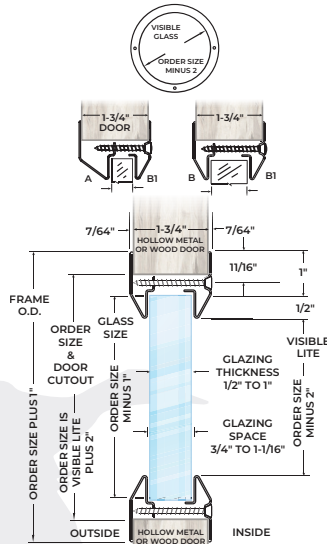


FIRE DOOR
GLASS LIGHT
FRAME

For Fire-Rated Doors, using $\frac{1}{4}$ " fire-rated wire glass:
20 & 45 minutes = 1,296 sq. inches max visible glass, 54" max width, 54" max height.
60 & 90 minute = 100 sq. inches max visible glass, 10" max width, 33" max height.
Sizes exceeding those shown above may be achieved using Pyran® Platinum F, Pyran® Platinum L, Protect3™ or 20T. Maximum size is determined by the glass listing (in doors) and door manufacturers listing.

UL10C Positive Pressure rated fire doors using $\frac{1}{4}$ " wired glass: 20 min. requires closed cell PVC foam glazing tape like NGP L-GT-114, L-GT-116, L-GT-118, L-GT-132 or L-GT-316. 45, 60, 90 min requires NGP 9800C or 3M CIS intumescent glazing tape.

UL10C Positive Pressure rated fire doors using Pyran® Platinum F, Pyran® Platinum L, Protect3™ or 20T requires closed cell PVC foam glazing tape like NGP L-GT-114, L-GT-116, L-GT-118, L-GT-132 or L-GT-316.



Not To Scale
Designed for Use on 1 $\frac{1}{8}$ " Thick Doors Manufactured Within Door Industry Tolerance of $\pm \frac{1}{16}$ "

INSTALL LO-FP-IS LITE KIT

1. Cut out door in accordance with door manufacturers listing procedure. Steel fire-rated doors do NOT require an opening reinforcing channel or reinforcing clips.
2. Install glass & glazing material (sold separately), into lite kit.
3. Position outer frame in door cut out.
4. Position inner frame and insert and start all screws before fully tightening.
5. Tighten screws using a criss cross pattern. Use caution when using power screw driving equipment to avoid stripping the material.

FIELD PAINTING: for best results scuff finish with a Scotch-Brite® pad prior to painting.

