



LO-FP-IS

Round Lite Kit

PRODUCT CUT SHEET

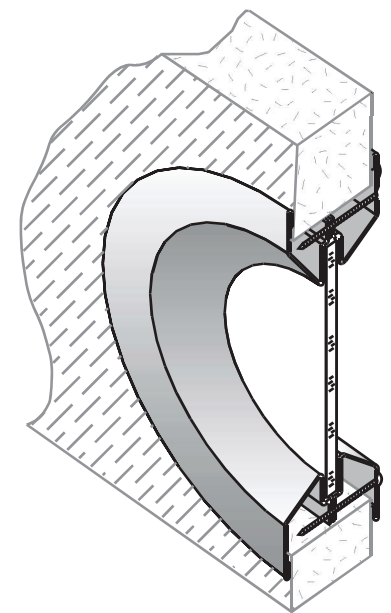
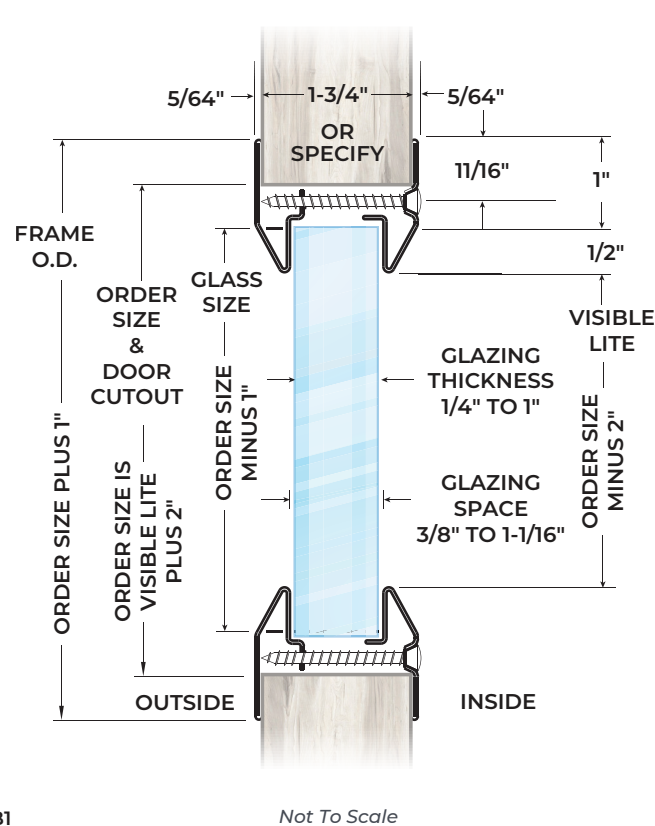
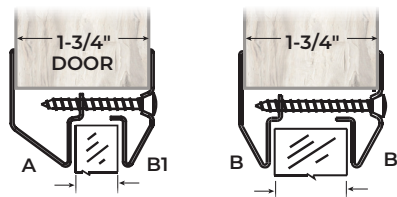
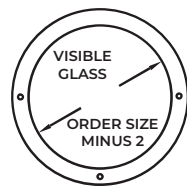
| |
|---------------|
| PROJECT: |
| SUBMITTED BY: |
| DATE: |
| NOTES: |

For 1 3/4" Thick Doors and 3/16", 1/4", or 5/16" Glass

- 20 Ga. Galvanized Steel
- Countersunk Mounting Screw-Holes
- #8 X 1 3/4" Phillips Head SMS
- Gray Primer

Available Options

- Powder Coat Color Options - See Color Chart on www.ngp.com
- Stainless Steel Type 304, #4 Finish - Specify LO-FP-SS
- Torx Security Screws
- Zinc Electro-Plating
- Glass & Glazing Tape - See Glass Section
- Available in 12", 18" only



Designed for Use on 1 3/4" Thick Doors Manufactured Within Door Industry Tolerance of +/- 1/16".



NGP MEMPHIS
4985 East Raines Road
Memphis, TN 38118
orders@ngp.com

NGP VEGAS
4584 Calimesa Street
Las Vegas, NV 89115
vegasorders@ngp.com

NGP-LIT-LO-FP-IS-PCS-1022-A

ngp.com
1-800-NGP-RUSH