

LO-FP

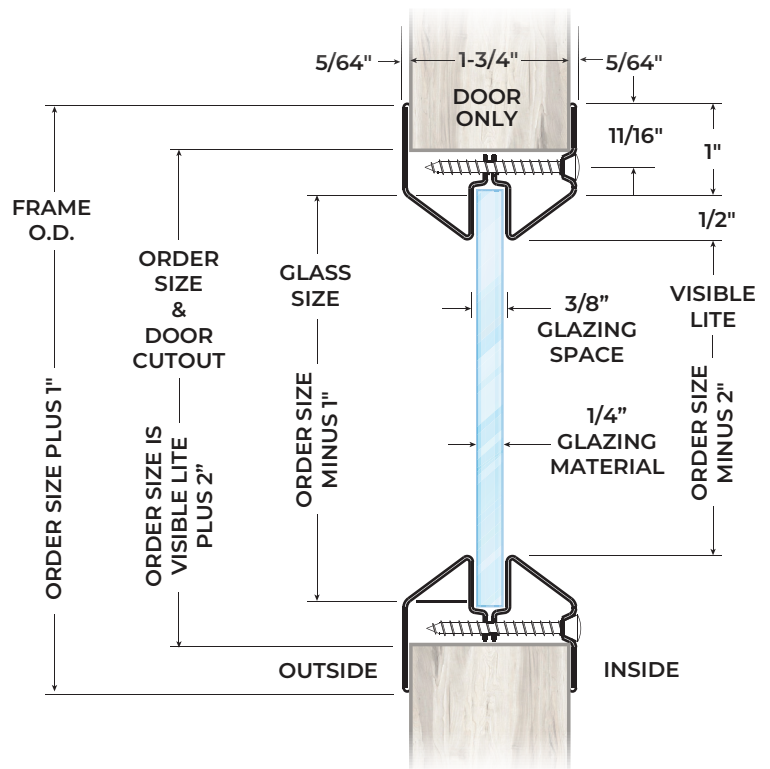
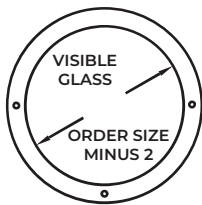
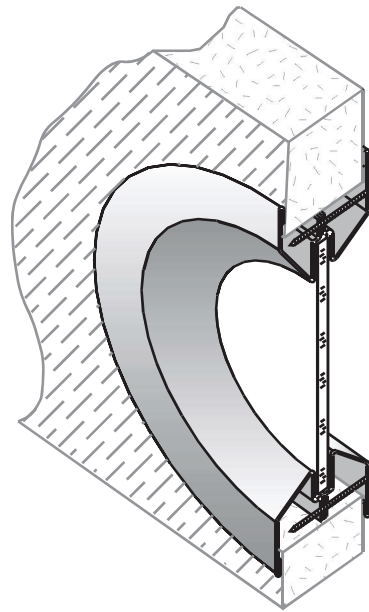
ROUND LITE KIT

FOR 1 3/4" THICK DOORS AND 3/16", 1/4", OR 5/16" GLASS

- 20 Ga. Galvanized Steel
- Countersunk Mounting Screw-Holes
- #8 X 1 3/4" Phillips Head SMS
- Gray Primer

Available Options

- Powder Coat Color Options - See Page L3
- Stainless Steel Type 304, #4 Finish - Specify LO-FP-SS
- Torx Security Screws
- Zinc Electro-Plating
- Glass & Glazing Tape - See Glass Section
- Available in 12", 18" only



Not To Scale

Designed for Use on 1 3/4" Thick Doors Manufactured Within Door Industry Tolerance of +/- 1/16".