

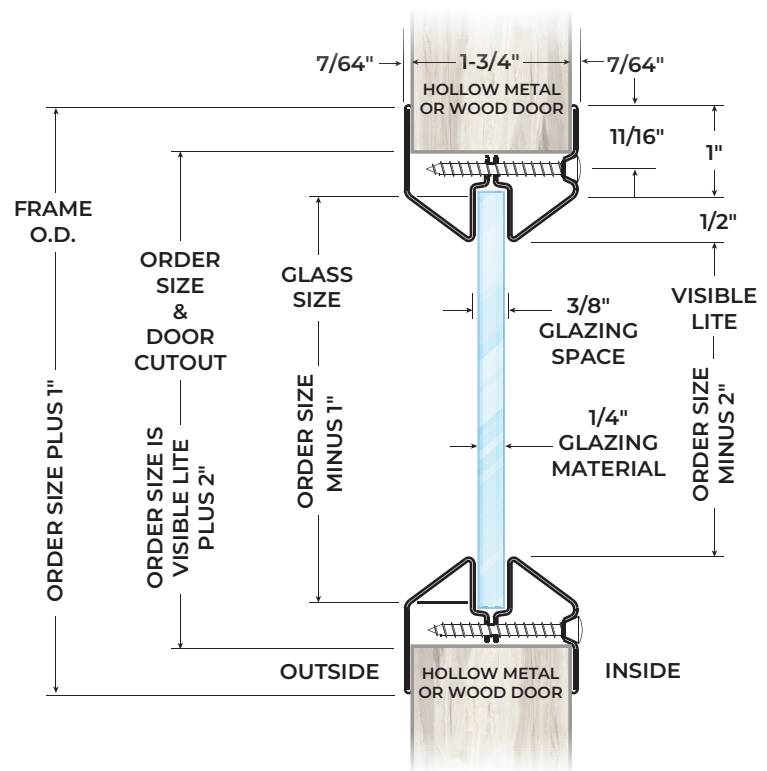
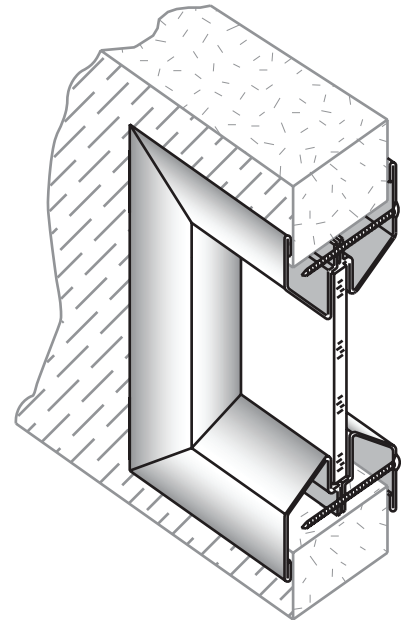


### FOR 1 3/4" THICK DOORS AND 3/16", 1/4" OR 5/16" GLASS

- ▶ 20 Ga. Cold Rolled Steel
- ▶ Mitered and Welded Corners
- ▶ Countersunk Mounting Screw-Holes
- ▶ #8 X 1 3/4" Phillips Head SMS
- ▶ Available in Uneven and Fractional Sizes
- ▶ Gray Primer (GPZ) Powder Coat Finish

#### Available Options

- ▶ Powder Coat Color Options - See Page L3
- ▶ Torx Security Screws
- ▶ Galvanneal - A40 Steel
- ▶ Zinc Electroplating
- ▶ Glass & Glazing Tape - See Glass Section
- ▶ Lead Lining - 1/16" Thick



Not To Scale

Designed for Use on 1 3/4" Thick Doors Manufactured Within Door Industry Tolerance of +/- 1/16".

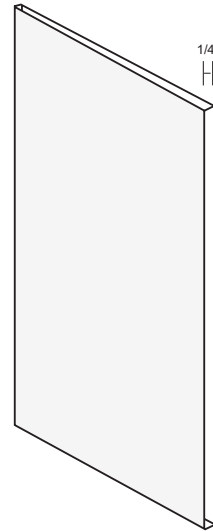
# LAMINATED GLASS

---

- ▶ 1/4" Thick Laminated Architectural Glass
- ▶ Comprised of Two Plies of Glass and a .030" PVB Interlayer
- ▶ Manufactured in USA
- ▶ **NOT** Fire-Rated
- ▶ STC 35 Rating

## Impact Safety Rating Information

Complies With IBC Requirements for Use in Doors.  
Meets ANSI Z97.1 Class A and CPSC 16CFR 1201 (CAT I and II)

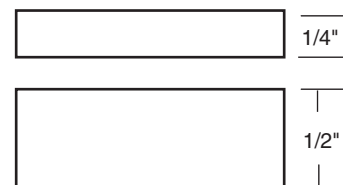


# POLYCARBONATE HIGH IMPACT

---

- ▶ Burglary-Resistant Material. Meets UL Standard 972
- ▶ Available in 1/4", 1/2" Thicknesses (Specify on Order)
- ▶ Colorless Transparent Sheet
- ▶ Virtually Unbreakable - 300 Times Stronger Than Ordinary Glass
- ▶ Unlikely to Shatter or Chip When Bombarded With Thrown Rocks, Bricks or Bottles
- ▶ UV Stabilized to Resist Solar Exposure
- ▶ Manufactured in USA
- ▶ 5-Year Manufacturer Warranty
- ▶ **NOT** Fire-Rated
- ▶ Acoustical Ratings: 1/4" = STC 29  
1/2" = STC 34

## Thicknesses Available



## Impact Safety Rating Information

Complies With IBC Requirements for Use in Doors  
Meets ANSI Z97.1 Class A and CPSC 16CFR 1201 (CAT I and II)

# GLAZING TAPE

## CLOSED CELL PVC FOAM

---

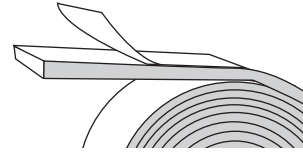
**L-GT-114** – 3/8" Wide x 1/4" Thick - 50' Rolls

**L-GT-116** – 3/8" Wide x 1/16" Thick - 200' Rolls

**L-GT-118** – 3/8" Wide x 3/8" Thick - 100' Rolls

**L-GT-132** – 3/8" Wide x 1/32" Thick - 200' Rolls

**L-GT-316** – 3/8" Wide x 3/16" Thick - 50' Rolls



- ▶ Closed Cell PVC Foam Glazing Tape With Adhesive Both Sides
- ▶ Color is Black
- ▶ For Use in Lite Kits on UL10C Positive Pressure Fire-Rated Wood or Steel Doors  
Rated Up To:
  - ▶ 20 Minutes With 20T or Fire Protective Wired Glass
  - ▶ 90 Minutes With Protect3™
  - ▶ 180 Minutes With Pyran® Platinum F or Pyran® Platinum L

## BUTYL RUBBER

**L-GT-16** 3/8" Wide x 1/16" Thick - 50' Rolls

- ▶ Butyl Rubber Glazing Tape With Adhesive Both Sides
- ▶ Color is Black