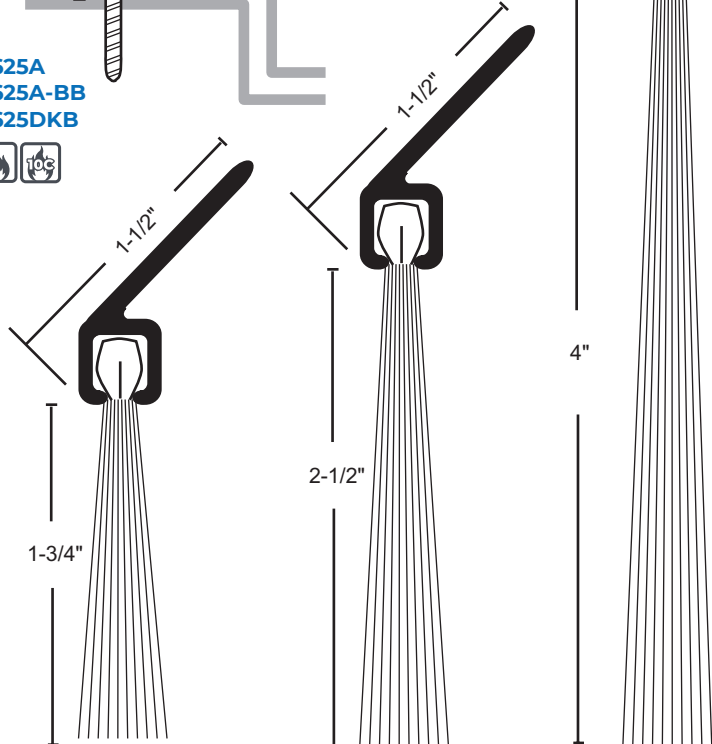
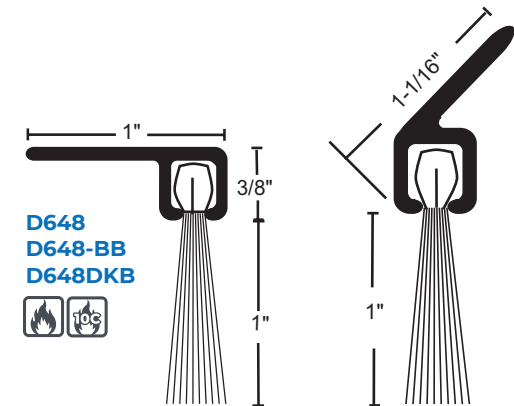
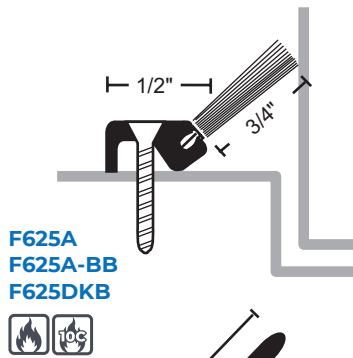
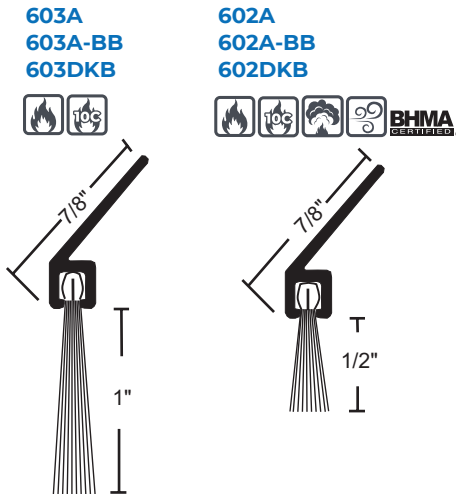
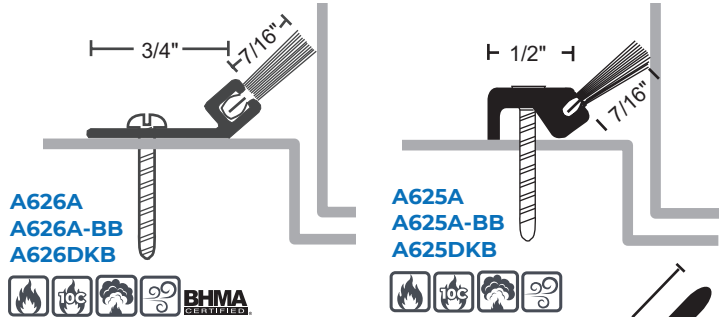


NYLON BRUSH SEALS

- ▶ Synthetic Polymer: Polyamide
- ▶ Excellent Abrasion Resistance, Flexibility and Memory
- ▶ Moisture-Resistant
- ▶ Retains Insecticides Well
- ▶ Temperature Range -70°F to 425°F
- ▶ BHMA Certified to ANSI/BHMA A156.22 Performance Tests for Heat and Cold, in Most Common Profiles as Indicated by BHMA Certified Symbol
- ▶ REACH and RoHS Compliant
- ▶ Not Effective Against Water Penetration
- ▶ #6 x 3/4" Stainless Steel Sheet Metal Screws Furnished
- ▶ Screw Holes Slotted for Adjustment

PRODUCT# SUFFIX	INSERT	FINISH
A	Gray Brush*	Anodized Aluminum
DKB	Black Brush	Dark Bronze
None	Gray Brush*	Mill Aluminum

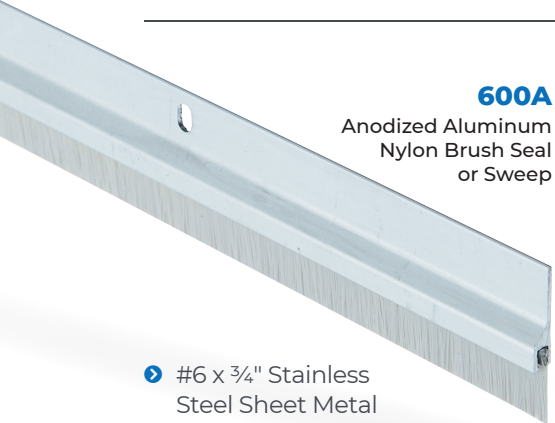
-BB = Black Brush



* Up To 3 Hours Metal Doors, 1 Hour Wood Doors

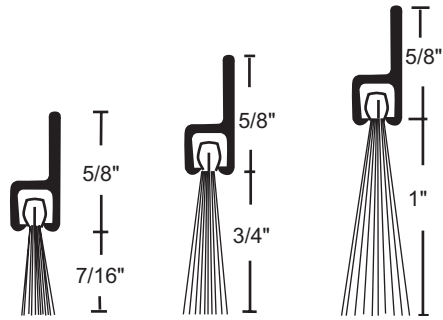


NYLON BRUSH SEALS



600A
Anodized Aluminum
Nylon Brush Seal
or Sweep

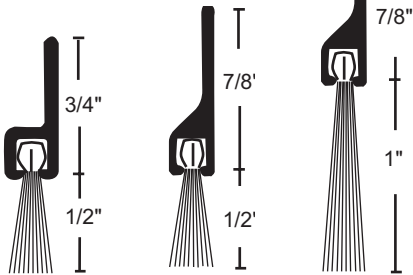
▶ #6 x 3/4" Stainless Steel Sheet Metal Screws Furnished. Screw Holes Slotted for Adjustment.



A605A
A605A-BB
A605DKB

OV634A
OV634A-BB
OV634DKB

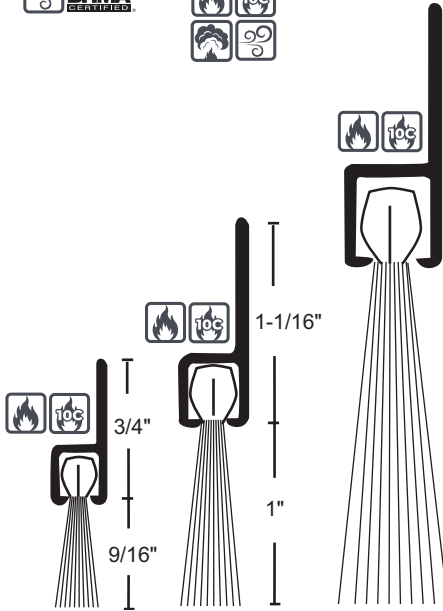
OV633A
OV633A-BB
OV633DKB



B606A
B606A-BB
B606DKB

600
600-BB
600A
600A-BB
600DKB

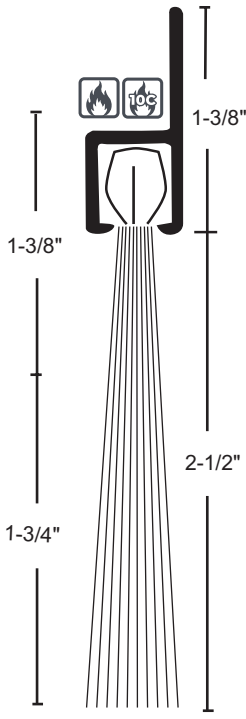
601
601-BB
601A
601A-BB
601DKB



C607A
C607A-BB
C607DKB

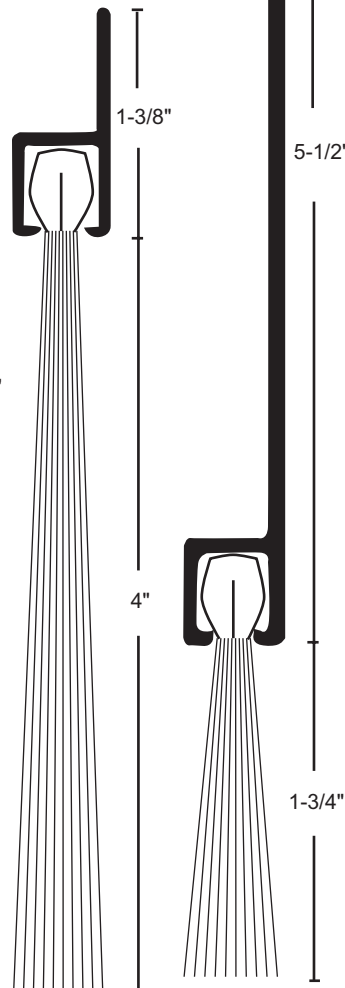
D608A
D608A-BB
D608DKB

G610A
G610A-BB
G610DKB



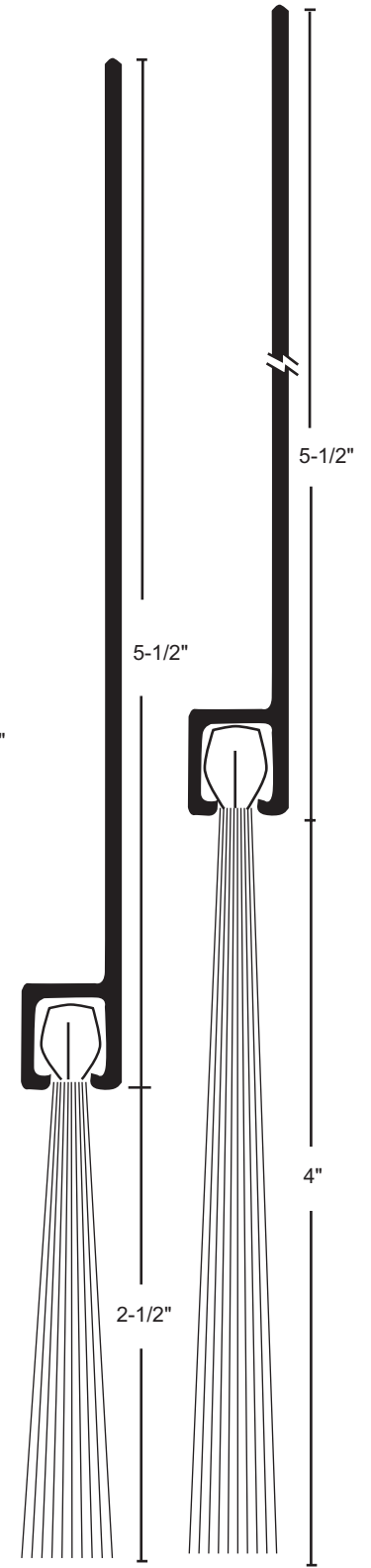
H612A
H612A-BB
H612DKB

I-615A
I-615A-BB
I-615DKB



G611A
G611A-BB
G611DKB

H614A
H614A-BB
H614DKB



I-616A
I-616A-BB
I-616DKB

