



SC-LITE

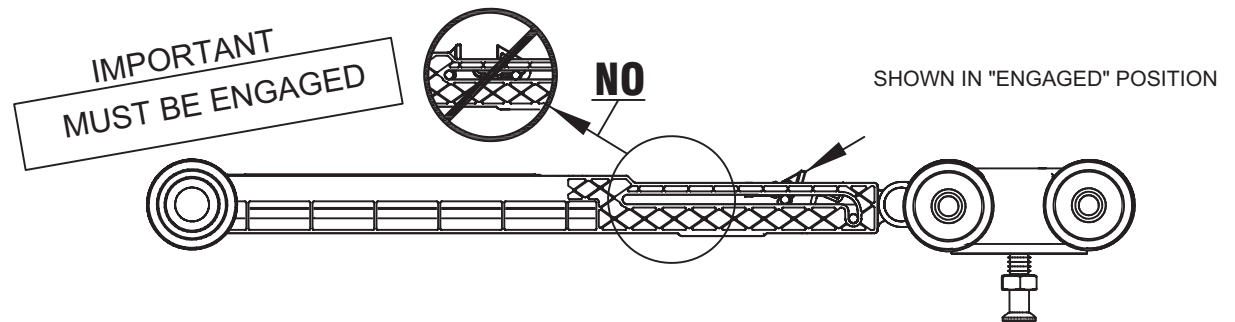
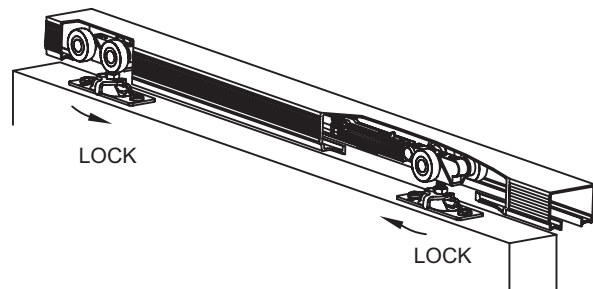
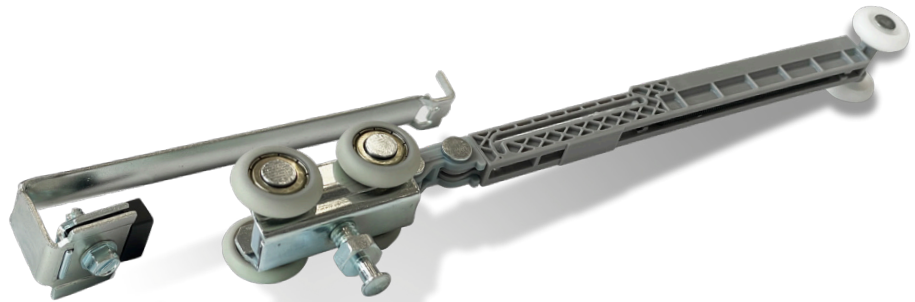
Aluminum Sliding Door Hardware — Soft-Close

PRODUCT CUT SHEET

PROJECT:
SUBMITTED BY:
DATE:
NOTES:

For Single Sliding Aluminum Hardware Sets With Doors 65 lbs. – 115 lbs. Each

- ▶ Designed for Doors 65 lbs. – 115 lbs. Each
- ▶ Minimum Door Width When Using One Soft-Close Device on a Single Door is 12.5"
- ▶ Minimum Door Width When Using Two Soft-Close Devices for Soft-Close Both Directions on a Single Door is 25"
- ▶ Slows Travel of the Door to Softly Close
- ▶ Soft-Close for Single Sliding Aluminum Hardware Sets
- ▶ For Both Directions Order SCBY-LITE



NGP-SLI-SC-LITE-PCS-0424-A

NATIONAL GUARD PRODUCTS, INC.

MEMPHIS

4985 East Raines Road
Memphis, TN 38118

CARSON CITY

3689 Arrowhead Drive
Carson City, NV 89706

Fax: (800) 255-7874

Email: info@ngp.com

Quotes: quotes@ngp.com

Orders: orders@ngp.com

ngp.com
1-800-NGP-RUSH