



For the complete list of Aluminum Sliding Door Hardware, the most up-to-date product information and installation instructions, scan the QR code or visit [ngp.com](http://ngp.com).



# SC Single Soft Close

# SCBY Two Soft Close

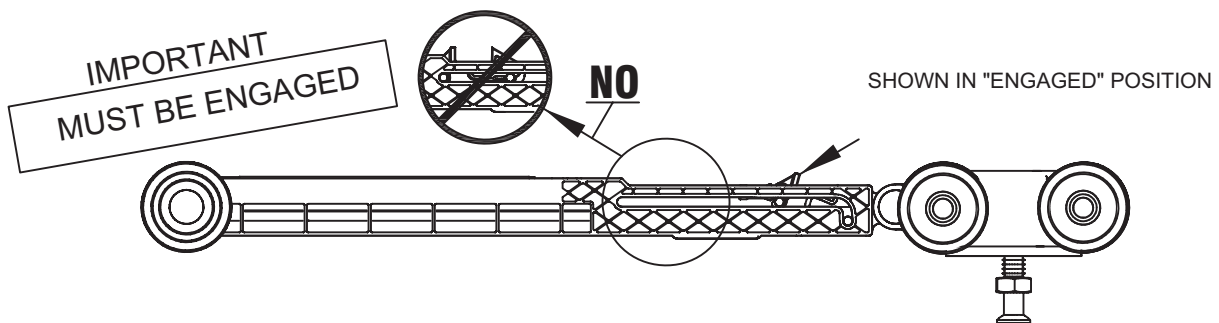
## INSTALLATION INSTRUCTION

Designed for Doors 120 lbs. – 150 lbs.

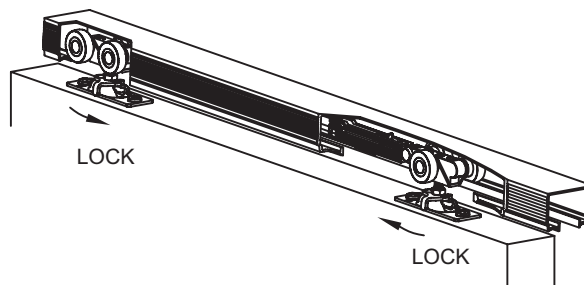
Minimum Door Width When Using One Soft Close Device on a Single Door is 16".

Minimum Door Width When Using Two Soft Close Devices for Soft Close Both Directions on a Single Door is 31".

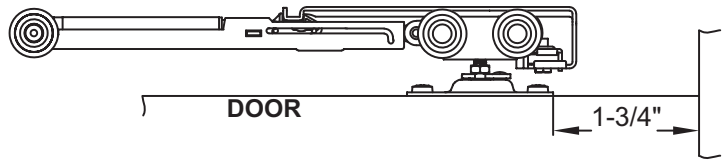
- 1. If Track** is already installed, disconnect Hangers from Door Plates and remove door. Remove both Hangers from track–Remove Door Plates from door.
- 2. Attach** Door Plates 1¾" (70mm) from door edge.
- 3. Engage Soft Close Dampener by pushing Dampener trigger toward (4) Wheel Roller.**  
*This step is very important. **DAMPENER MUST BE ENGAGED** or soft close will not work. Soft Close Dampener may be **DAMAGED** if installed incorrectly. Door will have to be removed and installation will have to begin again.*
- 4. Insert** Soft Close into track–4 Wheel Ball Bearing Hanger goes into Track first.



### 5. Hang Door



**6. Slide** door away from end of track  
(check to make sure all track screws are flat against track and does not interfere with movement of dampener hanger) and install Actuator Arm into track, with back of Actuator Arm 2 ¼" or desired



position from Jamb. **HAND TIGHTEN** (do not use power drill) Actuator Arm on track. Check to make sure Arm stayed straight in track. Slowly close door, checking to make sure door touches Jamb, if not. Slide door away from Jamb and readjust Actuator Arm. Slowly close door again, checking to make sure soft close is working properly. Once confirmed, begin using door normally.



NGP-SLI-SCBY-PRI-1224-A



MEMPHIS | CARSON CITY

**NATIONAL GUARD PRODUCTS, INC.**

**MEMPHIS**

4985 East Raines Road  
Memphis, TN 38118  
orders@ngp.com

**CARSON CITY**

3689 Arrowhead Drive  
Carson City, NV 89706  
carsonorders@ngp.com

Fax: (800) 255-7874  
Email: info@ngp.com  
Quotes: quotes@ngp.com

**ngp.com**  
**1-800-NGP-RUSH**