



SC

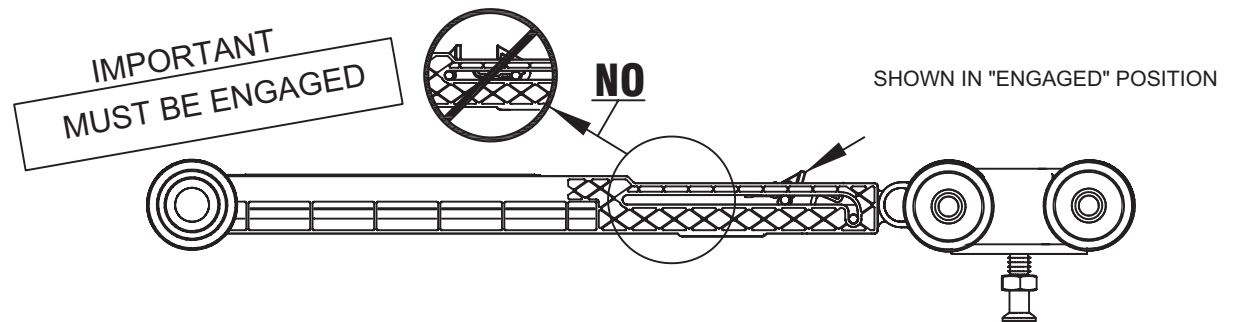
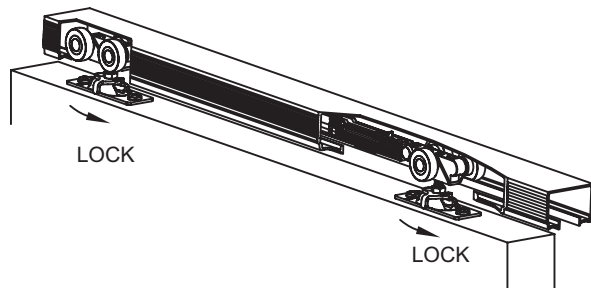
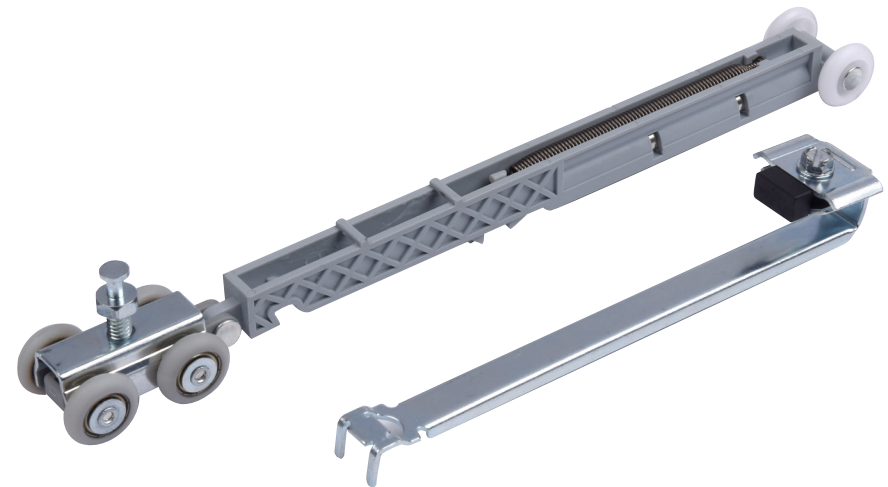
Aluminum Sliding Door Hardware — Soft Close

PRODUCT CUT SHEET

PROJECT:
SUBMITTED BY:
DATE:
NOTES:

For Single Sliding Aluminum Hardware Sets

- ▶ Designed for Doors 120 lbs. – 150 lbs.
- ▶ Minimum Door Width When Using One Soft Close Device on a Single Door is 16"
- ▶ Minimum Door Width When Using Two Soft Close Devices for Soft Close Both Directions on a Single Door is 31"
- ▶ Slows Travel of the Door to Softly Close
- ▶ Soft Close for Single Sliding Aluminum Hardware Sets
- ▶ For Both Directions Order SCBY



Note: For Door Sizing Refer to Installation Instruction.

NGP-SLI-SC-PCS-0422-A