

# SILICONE SEALS

All Silicone Seals this Section:



- ▶ Synthetic Rubber Polymer: Siloxane
- ▶ Excellent Flexibility and Memory
- ▶ Flame-Resistant
- ▶ Moisture-Resistant
- ▶ Temperature Range -100°F to 500°F, Remains Flexible at Extreme Temperatures
- ▶ Excellent Resistance to Ozone, UV and Aging
- ▶ Recommended for Areas using FM200 or Halon Fire Suppression Systems
- ▶ BHMA Certified to ANSI/BHMA A156.22 Performance Tests for Heat, Cold, Air Infiltration and Smoke Infiltration
- ▶ #6 x 3/4" Stainless Steel Sheet Metal Screws Furnished
- ▶ Screw Holes Slotted for Adjustment

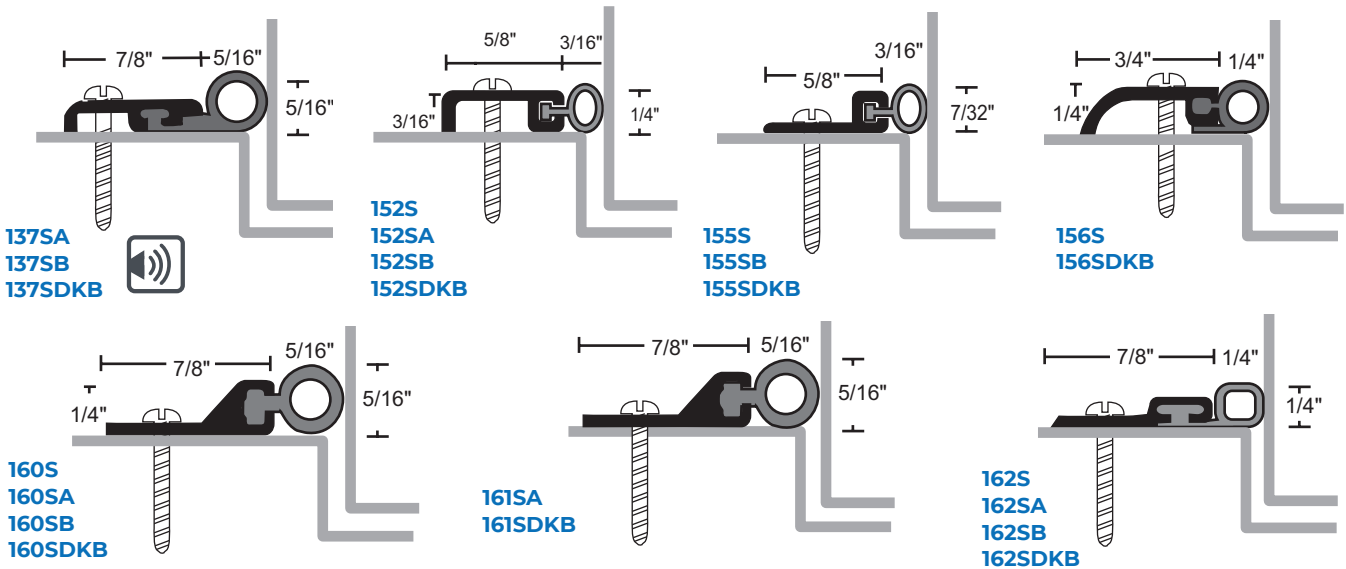
## 152SA

Anodized Aluminum  
Silicone Dense Bulb  
Perimeter Seal



PRODUCT#	SUFFIX	FINISH
A		Anodized Aluminum
B		Gold
DKB		Dark Bronze
None		Mill Aluminum

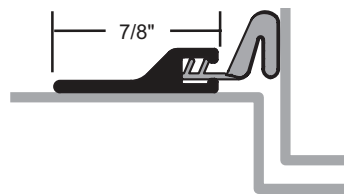
*Dense Silicone is Black  
Exception: 137 Silicone is Gray*



.07 Aluminum for Military Specs

# FOAM SEALS

- ▶ Seamless Compression Seals are Nearly 100% Closed Cell to Prevent Water from Penetrating Foam Cell Structure
- ▶ Extruded Skin Provides a Unique UV Resistant Barrier with Design Features that Enhance the Weather Strip's Sealing Performance
- ▶ Compression: Recommended = 25% Minimum = 10% Maximum = 50%
- ▶ Achieves AAMA 702 Class "A" Extra High Performance Certification



PRODUCT#	INSERT	FINISH
384B	Brown	Mill
384BA	Brown	Anodized
384BB	Brown	Gold
384BDKB	Brown	D. Bronze
384W	White	Mill
384WA	White	Anodized
384WB	White	Gold
384WDKB	White	D. Bronze



388B Brown  
388W White

.355 Kerf Mount Foam Profile  
Designed to Fit a Kerf Slot with a Width of .105" and Minimum Depth of .250.