



SLAL-250-BPF-4DR

Aluminum Sliding Door Hardware — By-Pass With Facscia

PRODUCT CUT SHEET

PROJECT:
SUBMITTED BY:
DATE:
NOTES:

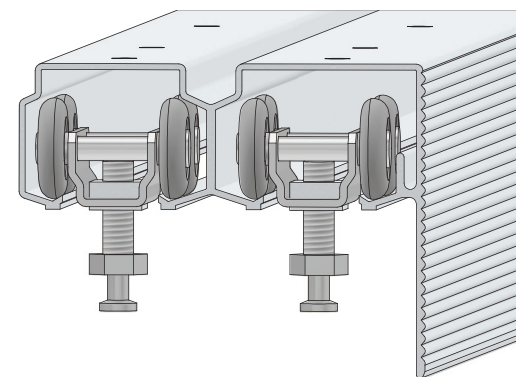
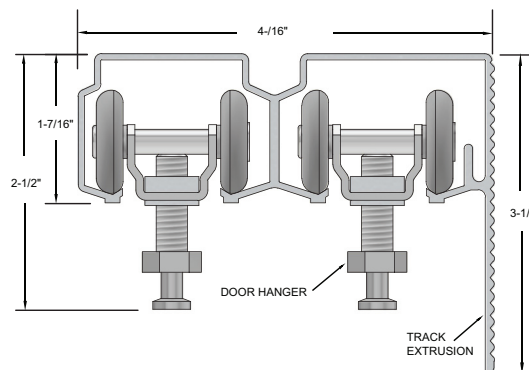
Top Mount Track System



- Commercial Grade for 1 $\frac{3}{8}$ " to 1 $\frac{3}{4}$ " Doors
- Max Weight Load: 250 lbs.
- ANSI/BHMA A156.14 Grade 1 Certified to 100,000 Cycles Including Soft-Close Feature
- Hangers With Heavy-Duty Ball Bearing Wheels
- 5-Year Warranty
- Track Comes in 48", 60", 72", 96" and 144" Lengths

Complete Kits Include:

- Track – Mill Finish
- Universal Hardware Packs, Each Consists Of:
 - Ball Bearing Heavy-Duty Hangers
 - Snap-In Door Brackets
 - In-Track Stops
 - Angle Stop
 - Bumper Stop
 - Door Guide
- Heavy-Duty Floor Guides



OPTIONS:

- Soft-Close / Open – Specify “SCBY”
For Both Directions Order (2) Sets “SCBY”
for Doors 120 lbs.-150 lbs. Each
- Light-Duty Soft-Close / Open - Specify “SCBY-LITE”
Both Directions Order (2) “SCBY-LITE” for Doors
65 lbs.-115 lbs. Each
- Bottom Channel Guide “SL-BCG”
- Sidewall Mount Brackets “SWBP-BRKT”

Note: For Door Sizing Refer to Installation Instruction.

NGP-SLI-SLAL-250-BPF-4DR-PCS-0424-A

NATIONAL GUARD PRODUCTS, INC.

MEMPHIS

4985 East Raines Road
Memphis, TN 38118

CARSON CITY

3689 Arrowhead Drive
Carson City, NV 89706

Fax: (800) 255-7874
Email: info@ngp.com

Quotes: quotes@ngp.com
Orders: orders@ngp.com

ngp.com
1-800-NGP-RUSH