



# SLAL-250-PDKIT-48"DR

Aluminum Sliding Door Hardware — Pocket Door Frame Kit

## PRODUCT CUT SHEET

PROJECT:
SUBMITTED BY:
DATE:
NOTES:

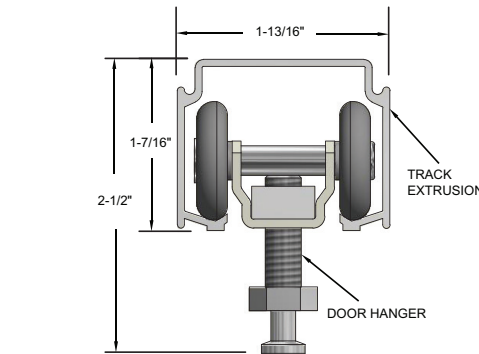
### Top Mount Track System



- ▶ Commercial Grade for 1<sup>3</sup>/<sub>8</sub>" To 1<sup>3</sup>/<sub>4</sub>" Doors
- ▶ Header Length 96"
- ▶ Frame Kit Accommodates up to 4/0 x 7/0 Doors
- ▶ Max Weight Load 250 lbs.
- ▶ ANSI/BHMA A156.14 Grade 1 Certified to 100,000 Cycles Including Soft Close Feature
- ▶ Hangers with Heavy Duty Ball Bearing Wheels
- ▶ 5-year Warranty
- ▶ Patent Pending
- ▶ Available for 48" Doors – Specify SLAL-250-PDKIT-EXT-48"
- ▶ Available for 2 x 6 Wall Construction – Specify SLAL-250-PDKIT-6-EXT
- ▶ Available for 2 x 6 Wall Construction 48" Doors – Specify SLAL-PDK-6-EXT48"
- ▶ Order Two Sets for Bi-Parting Applications

#### Complete Kits Include:

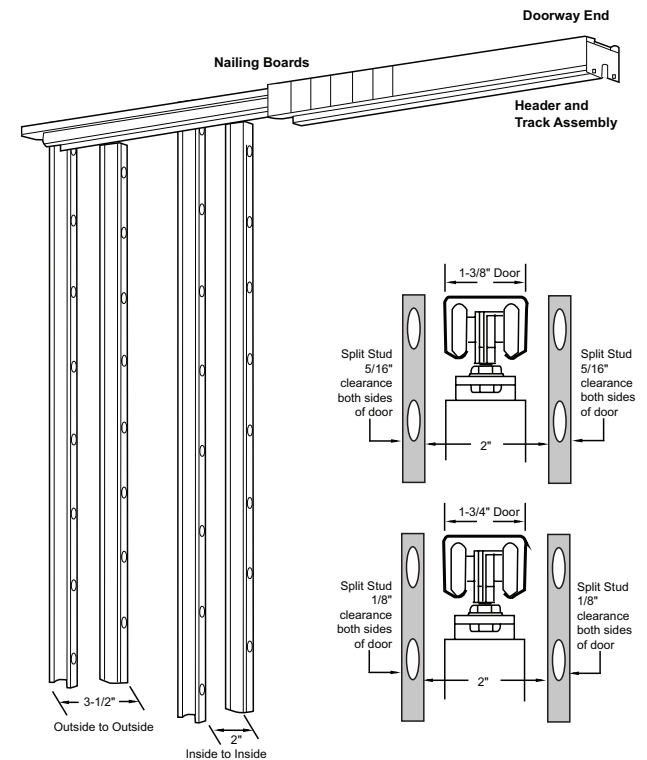
- (1) 73" Header Track Assembly
- (1) Universal Hardware Pack, Consists Of:
  - (2) Ball Bearing Heavy-Duty Hangers
  - (2) Snap-In Door Brackets
  - (2) In-Track Stops
  - (1) Angle Stop
  - (1) Bumper Stop
  - (1) Door Guide
- (1) Pocket Frame Kit
  - (4) Jamb Stiffeners
  - (4) Jamb Stiffener Extensions
  - (4) Jamb Splice Brackets
  - (2) Floor Brackets
  - (1) End Bracket



#### OPTIONS:

- ▶ Soft Close / Open – Specify "SC" For Both Directions Order (2) SC
- ▶ Floor Guide SLSS-FG
- ▶ Bottom Channel Guide SL-BCG

Note: For Door Sizing Refer to Installation Instruction.



NGP-SLAL-250-PDKIT-48"DR-PCS-1221-A