



SLAL-250-PDKIT-6-EXT

Pocket Door Kit-7'-9' Extension

PRODUCT CUT SHEET

PROJECT:
SUBMITTED BY:
DATE:
NOTES:

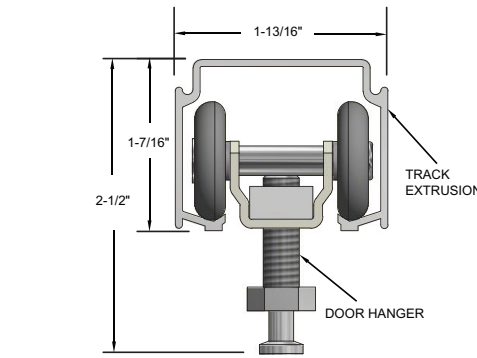
Top Mount Track System



- Commercial Grade for 1³/₈" To 1³/₄" Doors
- Header Length 73"
- Frame Kits Accommodate up to 3/0 x 9/0 Doors, 2 x 6 Walls
- Max Weight Load 250 lbs.
- ANSI/BHMA A156.14 Grade 1 Certified to 100,000 Cycles Including Soft Close Feature
- Hangers with Heavy Duty Ball Bearing Wheels
- 5-year Warranty
- Patent Pending
- Available for 48" Doors – Specify SLAL-250-PDKT-EXT-48"
- Available for 2 x 6 Wall Construction – Specify SLAL-250-PDKIT-6-EXT
- Available for 2 x 6 Wall Construction 48" Doors – Specify SLAL-PDK-6-EXT48"
- Order Two Sets for Bi-Parting Applications

Complete Kits Include:

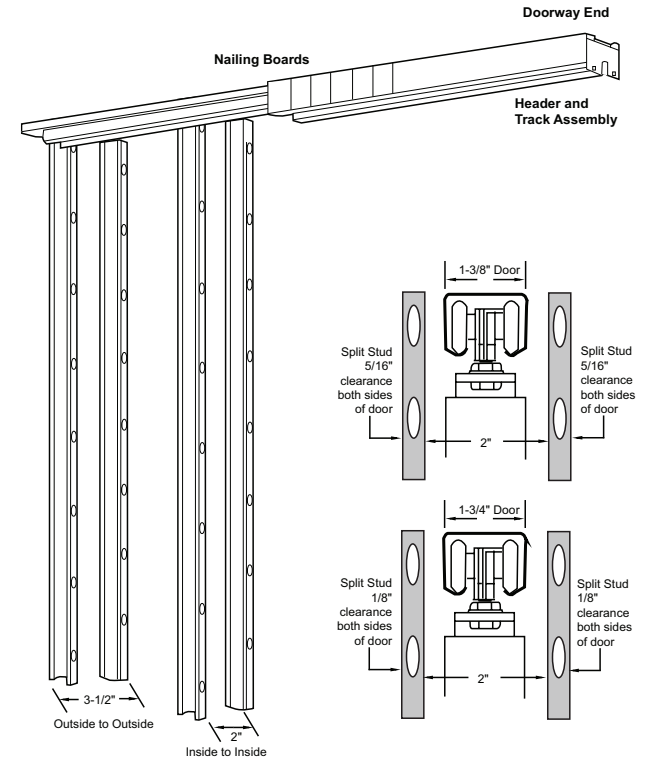
- (1) 73" Header Track Assembly
- (1) Universal Hardware Pack, Consists Of:
 - (2) Ball Bearing Heavy-Duty Hangers
 - (2) Snap-In Door Brackets
 - (2) In-Track Stops
 - (1) Angle Stop
 - (1) Bumper Stop
 - (1) Door Guide
 - Heavy-Duty Floor Guides
- (1) Pocket Frame Kit
 - (4) Jamb Stiffeners
 - (4) Jamb Stiffener Extensions
 - (4) Jamb Splice Brackets
 - (2) Floor Brackets
 - (1) End Bracket



OPTIONS:

- Soft Close / Open – Specify "SC" For Both Directions Order (2) SC
- Floor Guide SLSS-FG
- Bottom Channel Guide SL-BCG

Note: For Door Sizing Refer to Installation Instruction.



NGP-SLAL-250-PDKIT-6-EXT-PCS-1221-A