

POCKET DOOR

SLIDING DOOR HARDWARE FRAME KIT FOR UP TO 9/0 DOORS

ALUMINUM TOP MOUNT TRACK SYSTEM

- ▶ Commercial Grade for 1 $\frac{3}{8}$ " To 1 $\frac{3}{4}$ " Doors
- ▶ Max Weight Load 250 lbs.
- ▶ ANSI/BHMA A156.14 Grade 1 Certified to 100,000 Cycles Including Soft Close Feature
- ▶ Hangers with Heavy Duty Ball Bearing Wheels
- ▶ 5-year Warranty
- ▶ Patent Pending

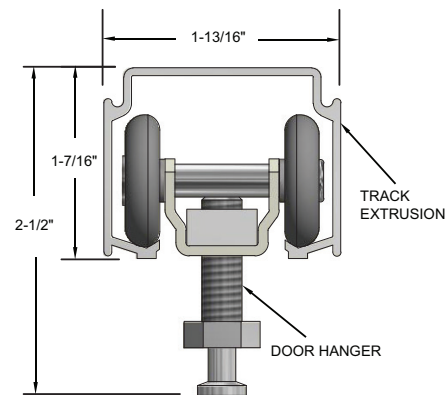
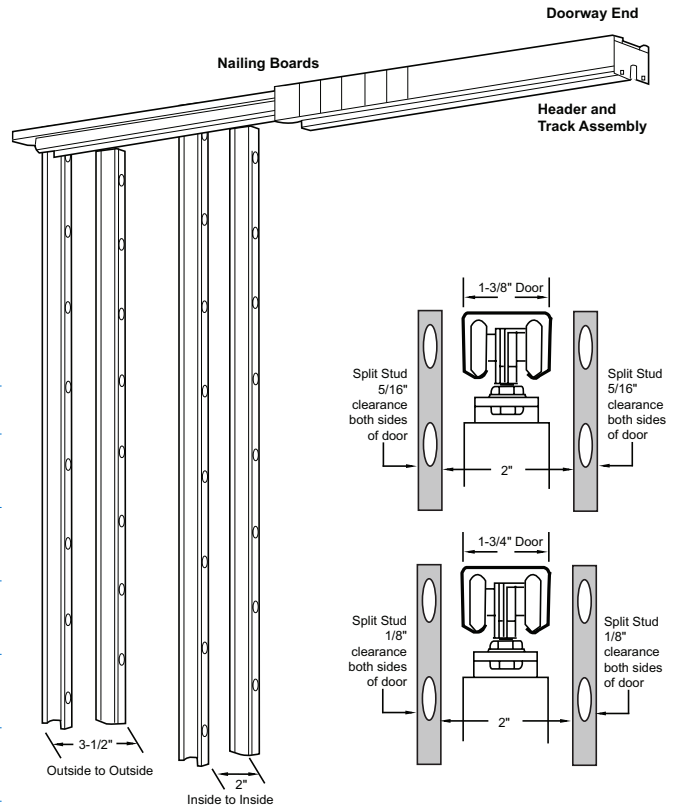


SKU	APPLICATION	FOR UP TO:
SLAL-250-PDKIT-EXT	4" Wood or Metal Stud	3/0 x 9/0
SLAL-250-PDKT-EXT-48	4" Wood or Metal Stud	4/0 x 9/0
SLAL-250-PDKIT-6-EXT	6" Wood Stud (5 1/2" Header)	3/0 x 9/0
SLAL-250-PDK-6-EXT48"	6" Wood Stud (5 1/2" Header)	4/0 x 9/0
SLAL-250-PDKT-6M-EXT	6" Metal Stud (6" Header)	3/0 x 9/0
SLAL-250-PK-6M-EXT48	6" Metal Stud (6" Header)	4/0 x 9/0

Order two sets for Bi-Parting applications

Complete Kits Include:

- (1) Header Track Assembly
- (1) Universal Hardware Pack, Consists Of:
 - (2) Ball Bearing Heavy Duty Hangers
 - (2) Snap-In Door Brackets
 - (2) In-Track Stops
 - (1) Angle Stop
 - (1) Bumper Stop
 - (1) Door Guide
 - Heavy Duty Floor Guides
- (1) Pocket Frame Kit
 - Jamb Stiffeners
 - (4) 36" Openings
 - (6) 48" Openings
 - (4) Jamb Stiffener Extensions
 - (4) Jamb Splice Brackets
 - Floor Brackets
 - (2) 36" Openings
 - (3) 48" Openings
 - (1) End Bracket



OPTIONS:

- ▶ Soft Close / Open – Specify "SC"
For Both Directions Order SCBY
- ▶ Wall Mounted Bottom Guide SL-WG
- ▶ Bottom Channel Guide SL-BCG (page SL10)