



SLAL-250-PDKT-EXT-48

Pocket Door Kit-7'-9' Extension

PRODUCT CUT SHEET

PROJECT:
SUBMITTED BY:
DATE:
NOTES:

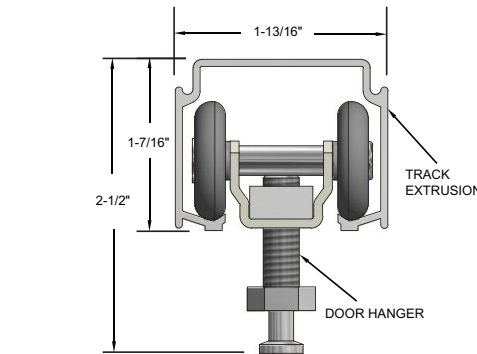
Top Mount Track System



- ▶ Commercial Grade for 1 $\frac{3}{8}$ " To 1 $\frac{3}{4}$ " Doors
- ▶ Header Length 96"
- ▶ Frame Kit Accommodates up to 4/0 x 9/0 Doors
- ▶ Max Weight Load 250 lbs.
- ▶ ANSI/BHMA A156.14 Grade 1 Certified to 100,000 Cycles Including Soft Close Feature
- ▶ Hangers with Heavy Duty Ball Bearing Wheels
- ▶ 5-year Warranty
- ▶ Patent Pending
- ▶ Available for 48" Doors – Specify SLAL-250-PDKT-EXT-48"
- ▶ Available for 2 x 6 Wall Construction – Specify SLAL-250-PDKIT-6-EXT
- ▶ Available for 2 x 6 Wall Construction 48" Doors – Specify SLAL-PDK-6-EXT48"
- ▶ Order Two Sets for Bi-Parting Applications

Complete Kits Include:

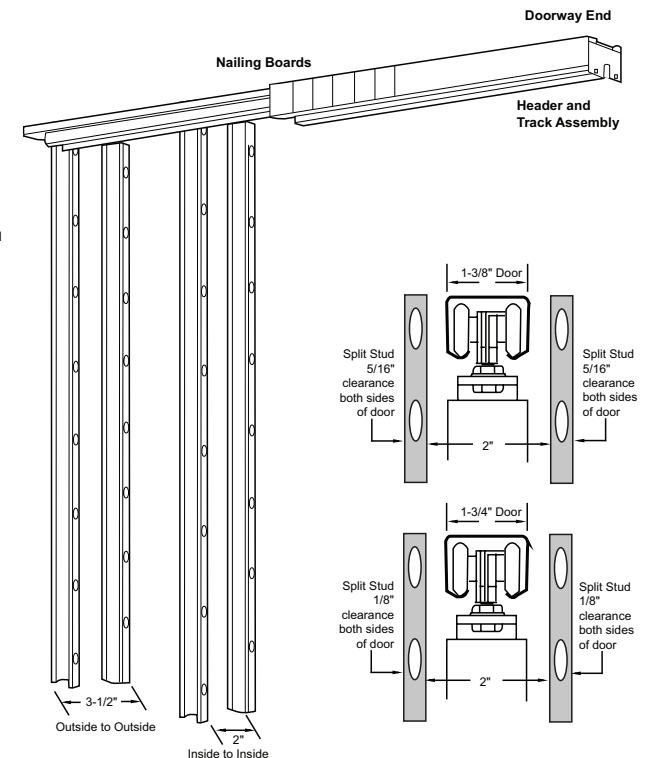
- (1) 96" Header Track Assembly
- (1) Universal Hardware Pack, Consists Of:
 - (2) Ball Bearing Heavy-Duty Hangers
 - (2) Snap-In Door Brackets
 - (2) In-Track Stops
 - (1) Angle Stop
 - (1) Bumper Stop
 - (1) Door Guide
 - Heavy-Duty Floor Guides
- (1) Pocket Frame Kit
 - (4) Jamb Stiffeners
 - (4) Jamb Stiffener Extensions
 - (4) Jamb Splice Brackets
 - (2) Floor Brackets
 - (1) End Bracket



OPTIONS:

- ▶ Soft Close / Open – Specify "SC" For Both Directions Order (2) SC
- ▶ Floor Guide SLSS-FG
- ▶ Bottom Channel Guide SL-BCG

Note: For Door Sizing Refer to Installation Instruction.



NGP-SLAL-250-PDKT-EXT-48-PCS-1221-A