



# SLAL-250-PD

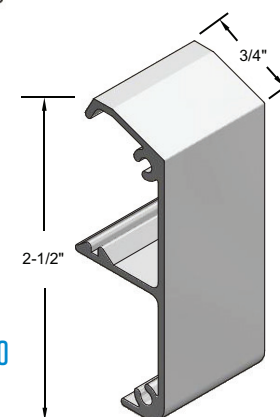
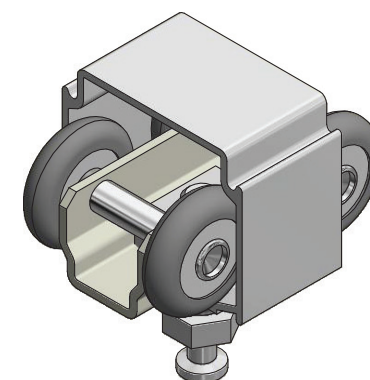
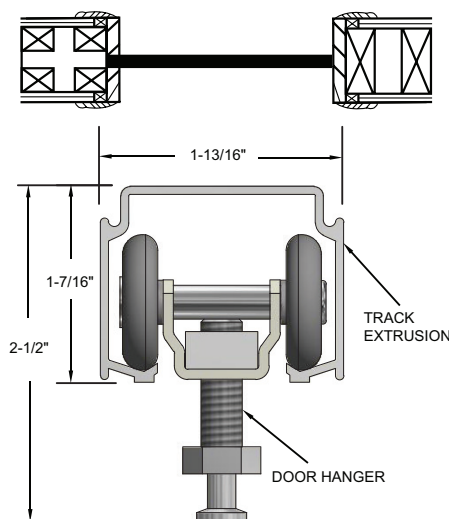
Aluminum Sliding Door Hardware — Pocket Door

## PRODUCT CUT SHEET

PROJECT:
SUBMITTED BY:
DATE:
NOTES:

### Top Mount Track System

- Commercial Grade for 1 $\frac{3}{8}$ " To 1 $\frac{3}{4}$ " Doors
- For Sliding Doors up to 250 lbs. Each
- ANSI/BHMA A156.14 Grade 1 Certified to 100,000 Cycles Including Soft-Close Feature
- Hangers With Heavy-Duty Ball Bearing Wheels
- Meets ADA Push Force Requirements
- 5-Year Warranty
- Track Comes in 48", 60", 72", 96" and 144" Lengths
- Order Two Sets for Bi-Parting Applications



### Complete Kits Include:

- (1) Track – Mill Finish
- (1) Universal Hardware Pack,  
Consists Of:
  - (2) Ball Bearing Heavy-Duty Hangers
  - (2) Snap-In Door Brackets
  - (2) In-Track Stops
  - (1) Angle Stop
  - (1) Bumper Stop
  - (1) Door Guide
  - Heavy-Duty Floor Guides

### OPTIONS:

- Soft-Close / Open – Specify “SC”  
For Both Directions Order “SCBY” for Doors  
120 lbs.-150 lbs. Each
- Light-Duty Soft-Close / Open - Specify “SC-LITE”  
For Both Directions Order “SCBY-LITE” for Doors  
65 lbs.-115 lbs. Each
- Wall Mounted Guide “SL-WG”
- Bottom Channel Guide “SL-BCG”
- Snap-On Fascia “SL-SQ20” – Clear Anodized

Note: For Door Sizing Refer to Installation Instruction.

NGP-SLI-SLAL-250-PD-PCS-0424-A

### NATIONAL GUARD PRODUCTS, INC.

#### MEMPHIS

4985 East Raines Road  
Memphis, TN 38118

#### CARSON CITY

3689 Arrowhead Drive  
Carson City, NV 89706

Fax: (800) 255-7874  
Email: info@ngp.com

Quotes: quotes@ngp.com  
Orders: orders@ngp.com

**ngp.com**  
1-800-NGP-RUSH