



For the complete list of Aluminum Sliding Door Hardware, the most up-to-date product information and installation instructions, scan the QR code or visit [ngp.com](http://ngp.com).

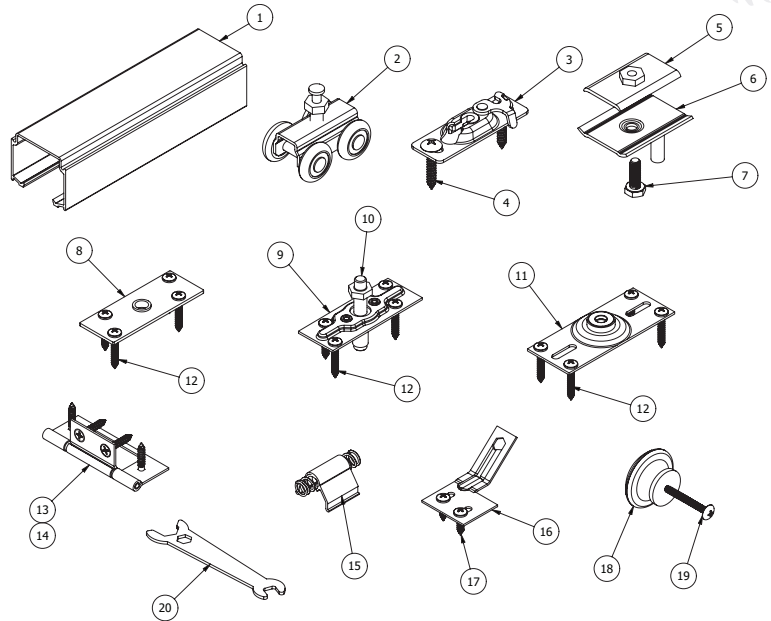


# SLAL-75-BF

## Bi-Fold Sliding Door Hardware

### INSTALLATION INSTRUCTION

Contents	2 Door	4-Door
1. Aluminum Track	1	2
2. Hanger	1	2
3. Quick Release Plate	1	2
4. #12 X 1 1/4" Screw	2	4
5. Top Pivot Plate Retainer	1	2
6. Top Pivot Plate	1	2
7. 1/4-20 X 3/4 UNC Bolt	1	2
8. Assy Top Door Plate	1	2
9. Assy Bottom Door Plate	1	2
10. Adjustable Pivot Pin	1	2
11. Assy Floor Plate	1	2
12. #8 X 1" Screw	12	24
13. Assy Hinge w/Screws (Brass)	4	8
14. Assy Hinge w/Screws (Chrome)	4	8
15. Assy Door Snugger w/Spring	1	2
16. Aligner Door Bracket	N/A	2
17. #8 X 5/8" Screw	N/A	4
18. Wooden Pull	1	2
19. #8 X 1 3/4" Screw	1	2
20. Wrench	1	1



#### 1. Sizing Information Finished Opening/Panel Dimensions

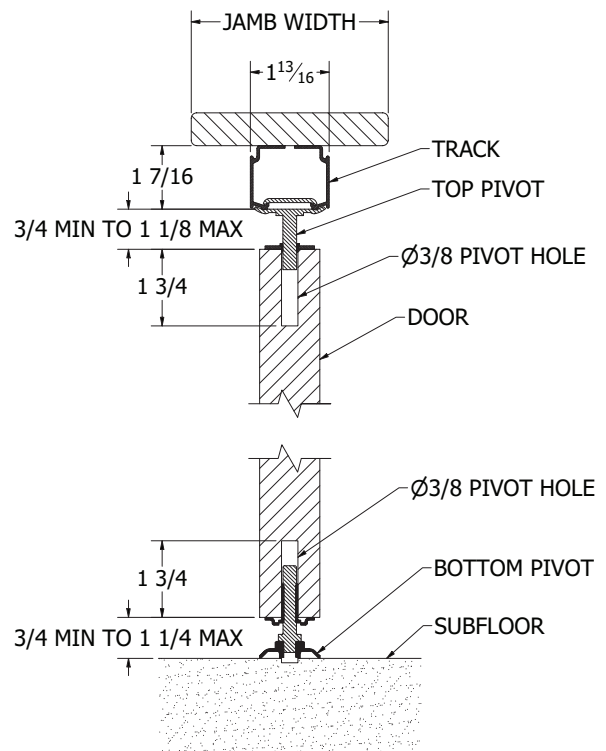
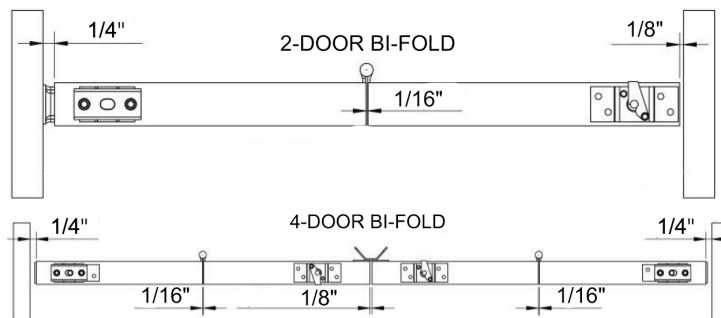
**To determine 2 door opening panel width** – Panel width = known finished opening width, less 7/16" then divided by number of panels (2)

**To determine 4 door bi-part opening panel width** – Panel width = known finished opening width, less 3/4" then divided by number of panels (4)

**To determine 2 door opening width** – Opening width = known finished panel width times 2, plus 7/16"

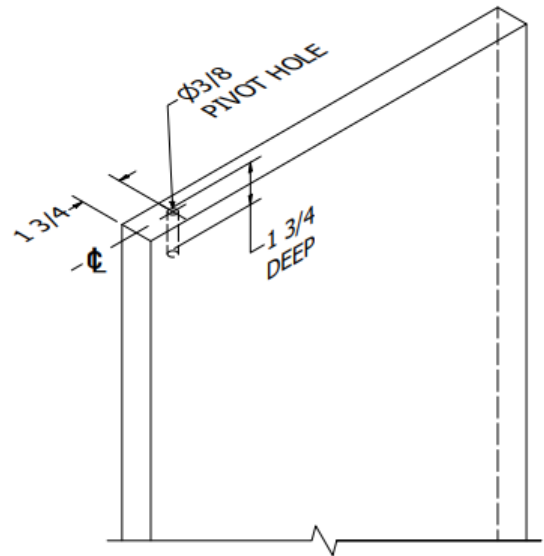
**To determine 4 door opening width** – Opening width = known finished panel width times 4, plus 3/4"

**Door height** = 3 5/16" less than finished opening height



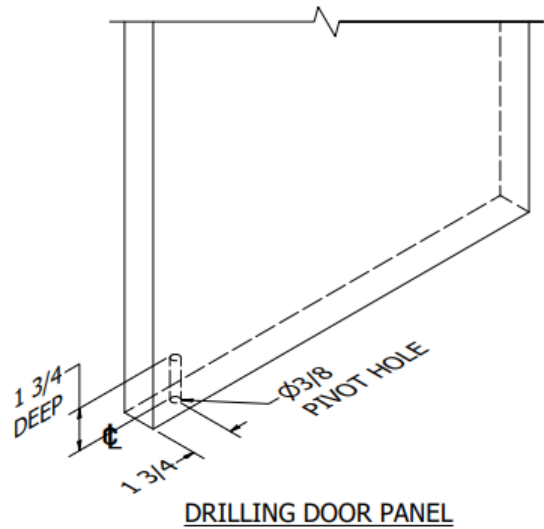
## 2. Prep Door for Top Pivot(s)

Drill  $\frac{3}{8}$ " diameter x  $1\frac{3}{4}$ " long hole into door top edge on pivoting door(s) at jamb. Locate hole(s)  $1\frac{3}{4}$ " in from door edge closest to jamb and centered in the doors thickness as shown



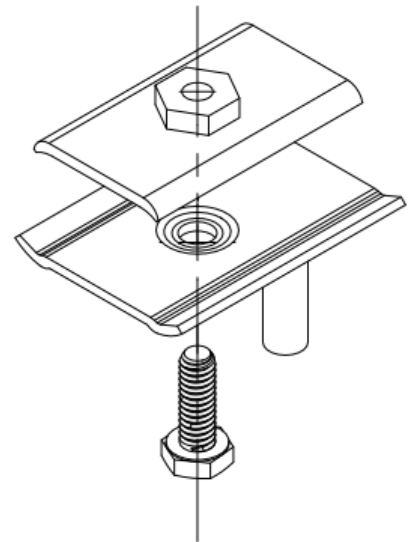
## 3. Prep Door for Bottom Pivot(s)

Drill  $\frac{3}{8}$ " diameter x  $1\frac{3}{4}$ " long hole into door bottom edge on pivoting door(s) at jamb. Locate hole(s)  $1\frac{3}{4}$ " in from door edge closest to jamb and centered in the doors thickness as shown



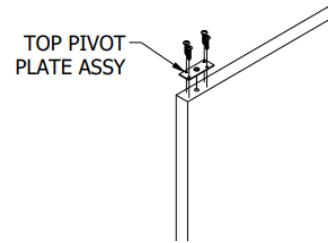
## 4. Assemble Top Pivot

Attach top pivot plate retainer plate (5) to top pivot plate pin (6) using  $\frac{1}{4}$  -20 bolt (7) as shown. Do not tighten bolt



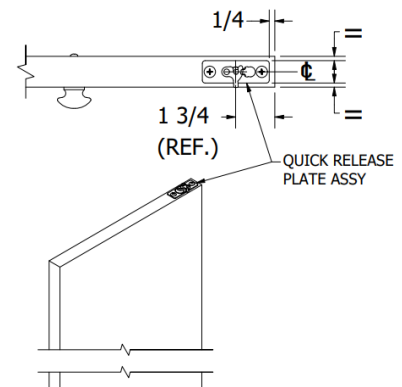
### 5. Attach Door Plate for Top Pivot

Attach top door plate (8) for top pivot as shown. Use previously drilled  $\frac{3}{8}$ " x  $1\frac{3}{4}$ " hole to center over door plate hole. Using plate as a template, mark and drill  $\frac{1}{8}$ " pilot holes where 4 fasteners attach plate to top edge of door as shown then fasten plate to door using 4 #8 x 1" pan head fasteners (11) (provided)



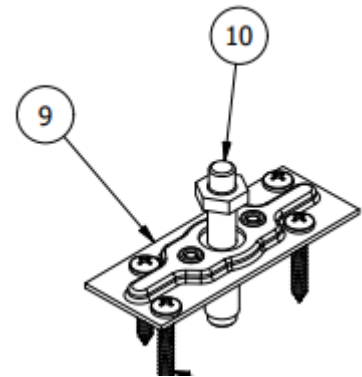
### 6. Attach Door Plate for Top Hanger

Attach quick release door plate (3) for top hanger as shown. Centerline of door plate should be located  $1\frac{3}{4}$ " from leading door edge and centered in the door's thickness. Using plate as a template, mark and drill  $\frac{9}{64}$ " pilot holes where 2 fasteners attach plate to top edge of door as shown then fasten plate to door using 2 #12 x  $1\frac{1}{4}$ " pan head fasteners (4)



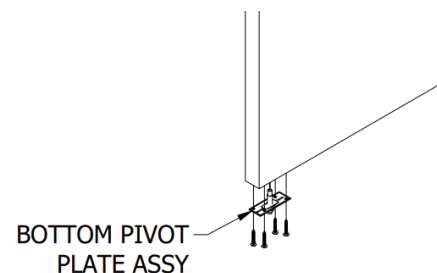
### 7. Assemble Bottom Pivot

Fasten bottom pivot adjustable pivot pin (10) to bottom door pivot plate (9) as shown



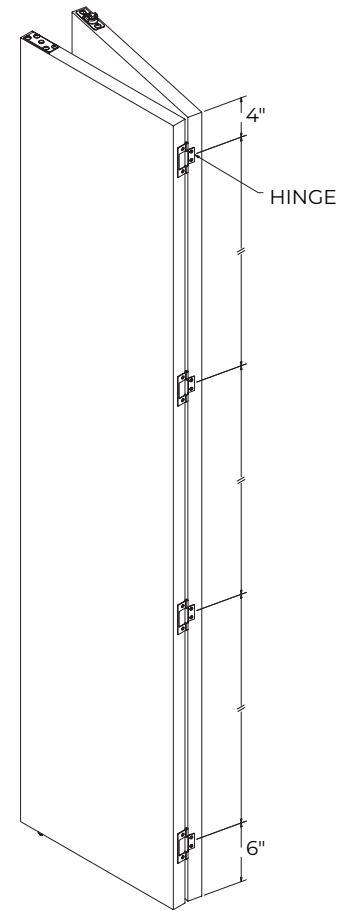
### 8. Attach Door Plate for Bottom Pivot

Attach bottom door pivot plate (9) as shown. Use previously drilled  $\frac{3}{8}$ " x  $1\frac{3}{4}$ " hole to insert bottom door pivot plate. Using plate as a template, mark and drill  $\frac{1}{8}$ " pilot holes where 4 fasteners attach plate to bottom edge of door as shown then fasten plate to door using 4 #8 x 1" pan head fasteners (12)



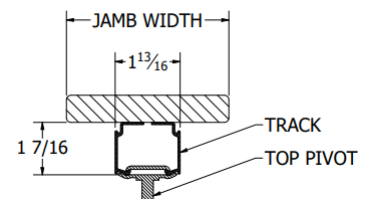
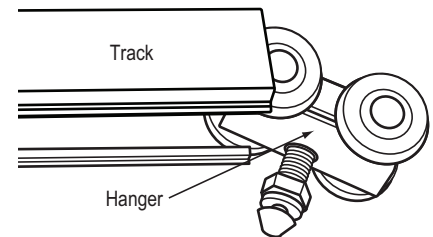
## 9. Install Hinges

Place doors side by side noting location of pivots and hanger door plates as shown. Fasten hinges to doors using #6 x  $\frac{7}{8}$ " screws provided. Ensure backset on every hinge is the same dimension.



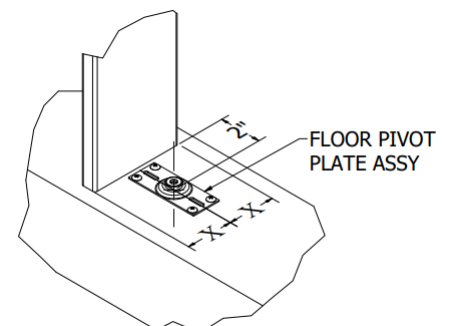
## 10. Install Track and Upper Hardware

Insert hanger(s) (2) first into track then insert top pivot retainer(s) (5) as shown. Secure track to header using #10 x  $1\frac{1}{2}$ " wood screws by others. Ensure track is plumb, level and free of debris. Place top pivot retainer(s) (5) 2" in from jamb inside of track and tighten into place as shown



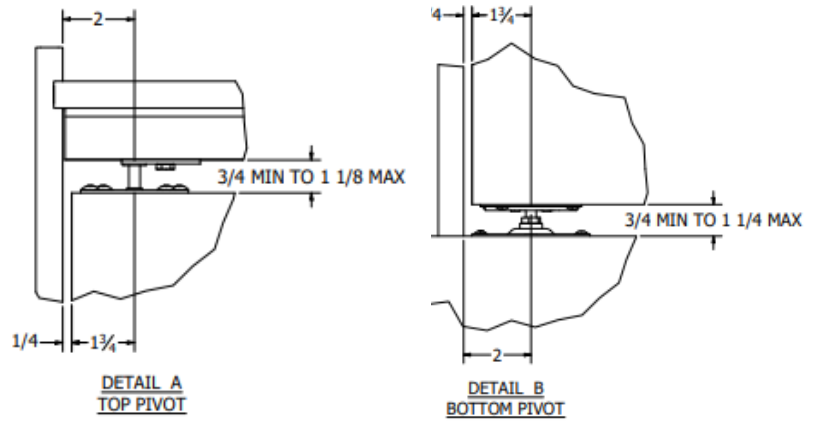
## 11. Install Bottom Pivot Floor Plate Assembly

Install bottom pivot floor plate assembly (11) by placing hole in plate 2" in from jamb on floor as shown. Using plate as a template, mark and drill  $\frac{1}{8}$ " pilot holes where 4 fasteners attach plate to bottom edge of door as shown then fasten plate to door using 4 #8 x 1" pan head fasteners (12)



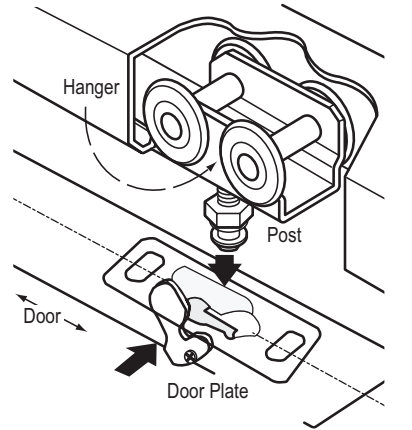
## 12. Install Doors

Fold doors together and engage top pivot plate (6) into hole in top pivot door plate (8). Set adjustable bottom pivot pin (10) into bottom pivot floor plate (11) as shown



### 12A. Install Doors

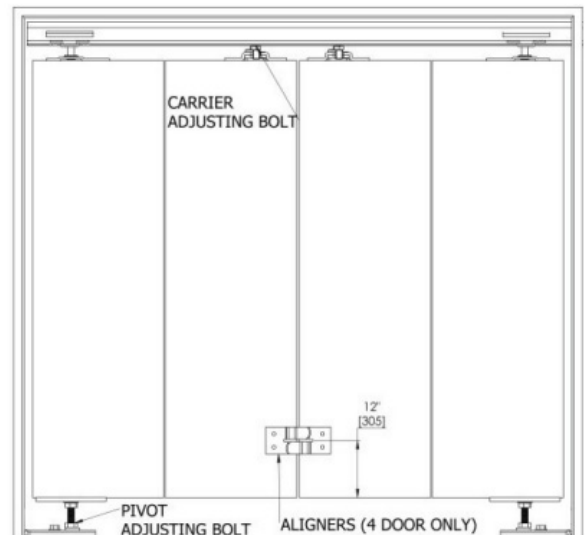
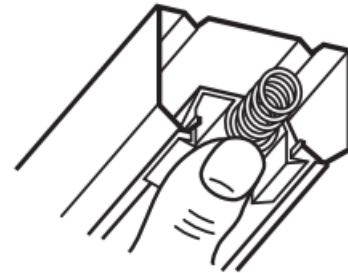
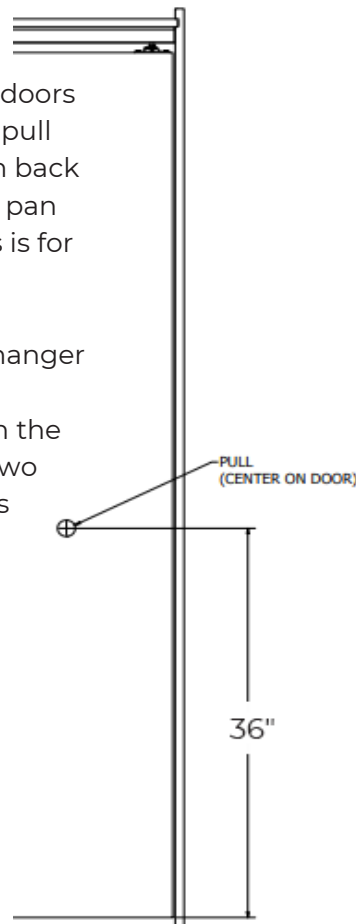
Slide hanger bolt into quick release hanger door plate (3) as shown



## 13. Install Pull, Aligner and Snugger

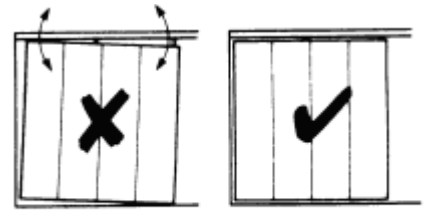
Adjust hangers and pivots so doors are square with frame. Install pull as shown. Install aligner (16) in back 12" from floor up with #8 x 5/8" pan head fasteners as shown. This is for 4 door units only

Install snugger (15) between hanger (2) and end of track for 2 door systems. Install snugger (15) in the center of the track between two hangers (2) for 4 door systems



#### 14. Adjust and Finish

Open and close doors to ensure there is no binding. If doors are difficult to open / close check all pivot points to ensure centerline is 1 3/4" in from all door edges and centered in the doors thickness. Check backset on all hinges to ensure they are the same dimension.



NGP-SLI-SLAL-75-BF-PRI-1023-A



MEMPHIS | CARSON CITY

**NATIONAL GUARD PRODUCTS, INC.**

**MEMPHIS**

4985 East Raines Road  
Memphis, TN 38118

**CARSON CITY**

3689 Arrowhead Drive  
Carson City, NV 89706

**Fax:** (800) 255-7874

**Email:** [info@ngp.com](mailto:info@ngp.com)

**Quotes:** [quotes@ngp.com](mailto:quotes@ngp.com)

**Orders:** [orders@ngp.com](mailto:orders@ngp.com)

**ngp.com**  
**1-800-NGP-RUSH**