



For the complete list of Aluminum Sliding Door Hardware, the most up-to-date product information and installation instructions, scan the QR code or visit ngp.com.



SLAL-250-PDKIT, SLAL-250-PDKIT-6 SLAL-250-PDKIT-EXT, SLAL-250-PDKIT-6-EXT SLAL-250-PDKIT-6M SLAL-250-PDKIT-6M-EXT

Pocket Door Frame Hardware

INSTALLATION INSTRUCTION

Kit Includes:

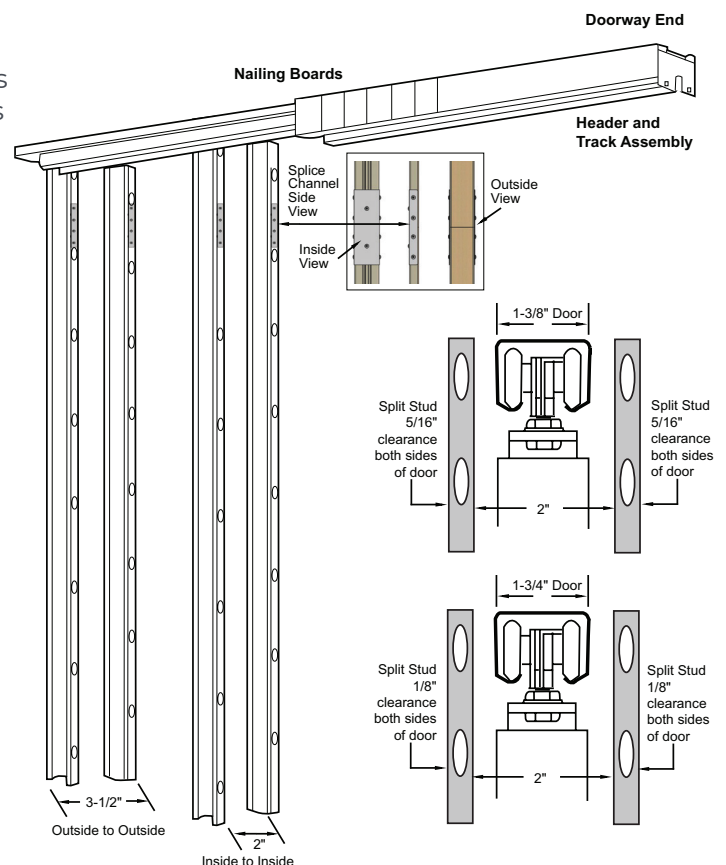
- (1) Header Track Assembly
- (4) Split Jambs
- (2) Floor Brackets
- (2) Door Plates
- (2) Ball Bearing Hangers
- (2) End Brackets
- (1) Bumper
- (1) Wrench
- (2) Nylon Door Guides
- (1) Adjustable Door Guides
- (1) In-Track Stop

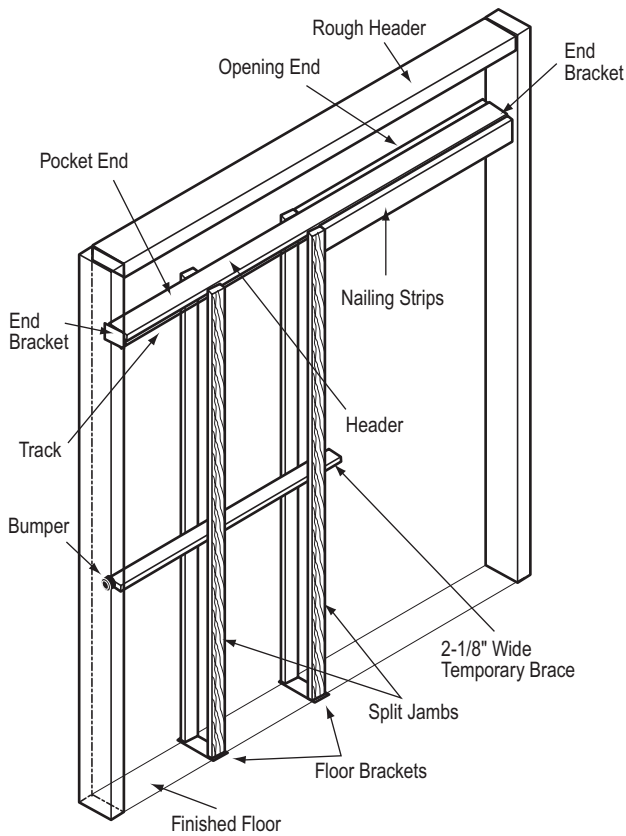
Optional Items

- Bottom Channel Guide
- Soft Close
- Floor Guide

Fasteners:

- (12) #10 x 1½" Screws
- (54) #8 x 5/8" Screws
- (18) 2" Nails





1. Preparing Rough Opening:

Determine the minimum height required from floor to Rough Header by calculating the door height plus 4 ½". Calculate frame width by multiplying door width by 2 and adding 1 ¼". This extra 1 ¼" will be filled with the Finish Jamb and Finish Flat Jamb (refer to step 12).

Example:

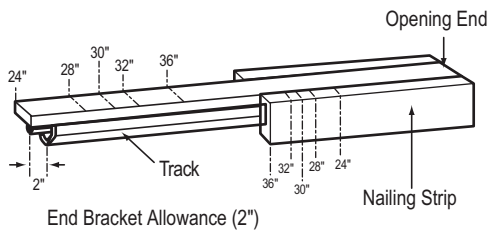
Door Height: 80" + 4 ½" = 84 ½"

Door Width: 30" x 2 + 1 ¼" = 61 ¼"

Floor Clearances using above dimensions:

Floor Guide allows ⅜"

Wall Mounted Guide allows ¾"

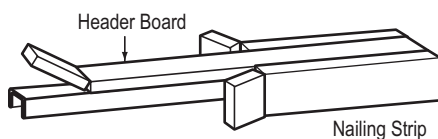


2. Cutting Header

If door width does not match pre-marked widths, follow instructions for "Cutting Header for Odd-sized Doors" in the next step.

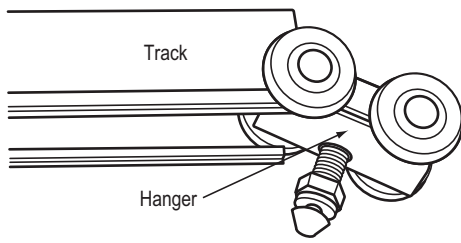
The Header Track Assembly does not require cutting if your door panel width is 36". For shorter widths, cut Header Track Assembly as follows:

- At the door marking that corresponds with the appropriate door width, cut Header Board and Nailing Strip on both sides (do not cut metal track).
- Remove cut off ends and discard.
- Turn Header Track Assembly over and cut metal track 2" shorter than header.



3. Cutting Header for Odd-Sized Doors

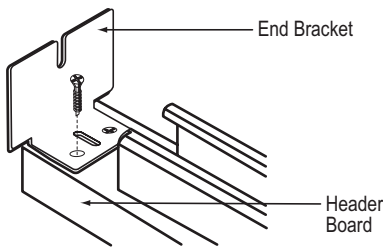
- Cut Nailing Strips to door panel width plus ⅞".
- Cut Header Board by measuring 2 times door width plus 1".
- Turn Header over and cut the metal track 1 ⅜" shorter than Header Board.



4. Installing Hangers INTO TRACK

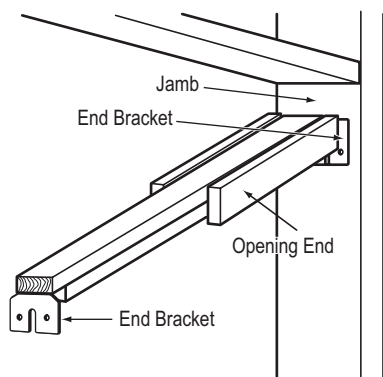
From the open end of track, slide both Hangers into track as shown.

Installing Hangers with Soft Close into track, refer to Soft Close Instructions that are supplied with Soft Close.



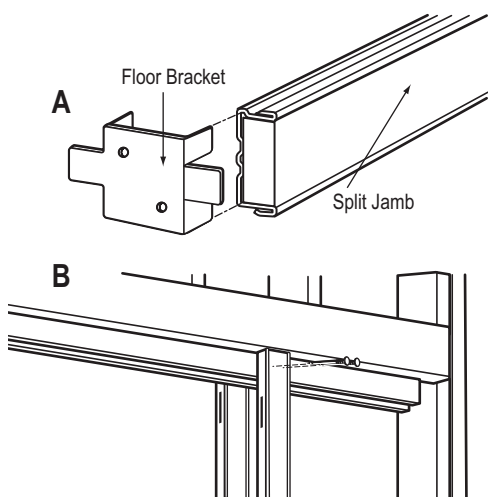
5. Installing End Bracket

Use two (2) #8 x 5/8" screws and attach end bracket to the opposite end of Header Track Assembly.



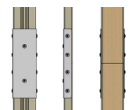
6. Installing Header Track Assembly

- Measuring from floor up set nails at door height + 1/8" on both side jambs-leaving 1/8" of nail protruding from side jambs; bracket will rest on these nails.
- Slide End Brackets onto protruding nails.
- Level Header Track Assembly.
- Set nails and drive additional nails through remaining holes in end brackets.

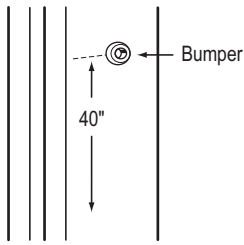


7. Installing Split Jambs and Floor Brackets

NOTES: • Standard Jamb length is designed for use with 7'0" doors.
 • For 6'8" doors cut 4" off the bottom of Jambs. Make sure the floor Bracket Prong can slide into Split Jamb.
 • Models SLAL-250-PDKIT-EXT, SLAL-250-PDKIT-6-EXT, SLAL-250-PDKT-6M-EXT: For doors over 7'0" up to 9'0" cut Jamb Extensions to desired length, couple to Jambs using Jamb Splice Brackets. Using #8 x 5/8" screws.

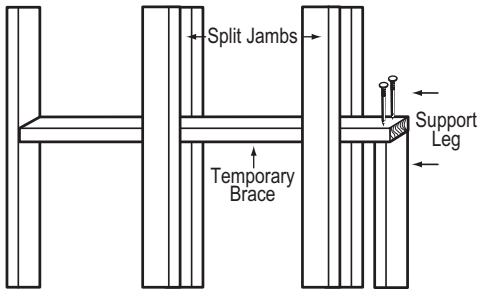


- Insert prong tabs from Floor Bracket into Split Jamb on flush end with wood exposed as shown.
- Stand Split Jamb up so the wood facing is exposed on drywall side and so jamb is flush against Header Track Assembly and butts against Nailing Strip. Nail into place.
- Place remaining Split Jamb on prongs and nail to opposite side of Header Track Assembly.
- Secure bracket to floor.
- Repeat steps for second set of Split Jambs. Position second set midway in pocket opening.



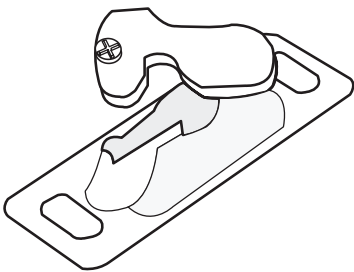
8. Installing Bumper

Using one (1) #8 x $\frac{5}{8}$ " screw, secure Bumper to rough jamb at the back of pocket approximately 40" from floor.



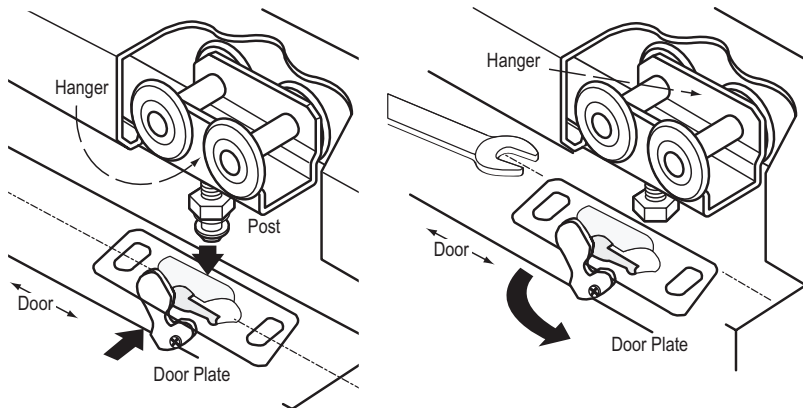
9. Installing Temporary Brace (Optional Step)

Insert 1" x 2 $\frac{1}{8}$ " board through Split Jambs, with the board resting on Bumper; nail a support leg to board as shown. This brace is for added support while installing drywall, paneling, or other wall covering material. Remove brace prior to installing door.



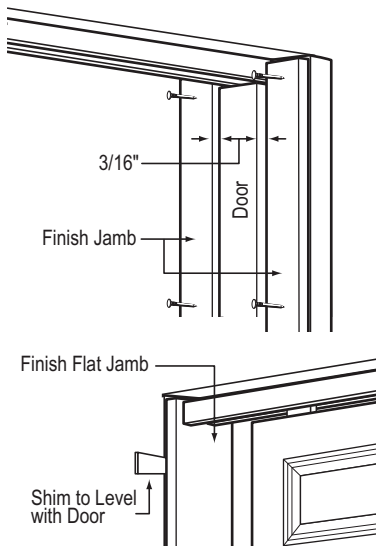
10. Installing Door Plates on Door Panel

Position both Door Plates on top side of door panel at least 1 $\frac{3}{4}$ " in from left and right edges of door panel as shown. Secure Door Plates to top of door panel using eight (8) #10 x 1 $\frac{1}{2}$ " screws, 4 for each door plate.



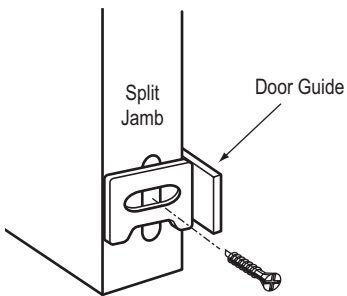
11. Installing Door

- a) Insert door onto Hanger by lifting the door and sliding Door Plate onto post as shown.
- b) Using the wrench provided turn the post to adjust the door vertically so it has sufficient floor clearance and is plumb. Do not unscrew post from Hanger.
- c) When door is in position you need to lock the door plate.



12. Installing Finish and Flat Jambs (Not Included in Set)

- On pocket end of opening, position both Finish Jambs so that they lie between the Nailing Strip and the rough floor.
- Butt the Finish Jambs beneath the Nailing Strip and if necessary, shim so Finish Jambs are plumb, leaving $\frac{3}{16}$ " clearing between the door and Finish Jambs.
- Nail into position with 2" nails.
- Install Finish Flat Jamb on opposite side of door opening.
- Nail into position with 2" nails. Slide door over and if necessary shim Finish Flat Jamb so it is plumb with door.

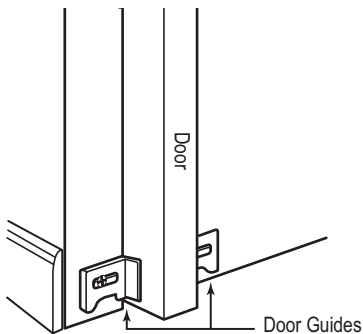


13. Installing Door Guide

With nylon guides facing toward the door opening, fasten Door Guide to Split Jamb using #8 x 1" screws as shown.

Option

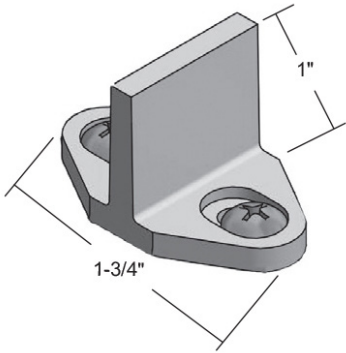
- Floor Guide requires a $\frac{3}{8}$ " x $\frac{7}{8}$ " mortise.



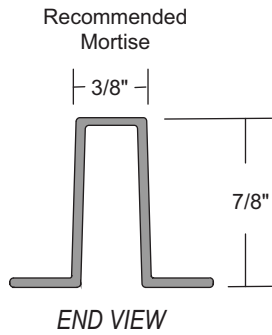
14. Installing Door Trim

- Adjust Door Guides before installing trim. Install door trim over Door Guides allowing $\frac{3}{16}$ " clearance between door and guide.
- Install In-Track Stop at desired location.

15. Optional Items

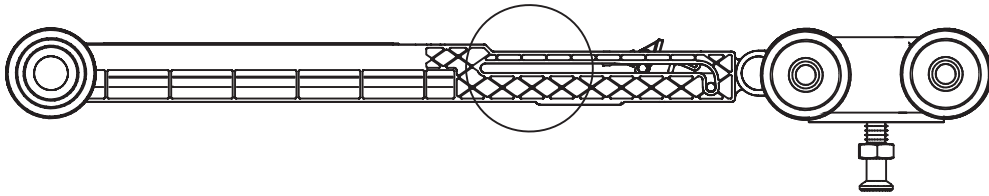


- Floor Guide furnished may be used if desired. Install inside Pocket at desired location. Door must be mortised $\frac{3}{8}$ " x $\frac{7}{8}$ "



- Bottom Channel Guide (sold separately) may be installed in bottom of Door with Construction Adhesive. Door must be mortised $\frac{3}{8}$ " x $\frac{7}{8}$ "

- Soft Close



NGP-SLI-SLAL-250-PDKIT-PRI-0222-A



NGP MEMPHIS
4985 East Raines Road
Memphis, TN 38118
orders@ngp.com

NGP VEGAS
4584 Calimesa Street
Las Vegas, NV 89115
vegasorders@ngp.com

ngp.com
1-800-NGP-RUSH