

# BARN DOOR TOP MOUNT

## SLIDING DOOR HARDWARE

- ▶ Fits 1" To 2" Thick Door Panel
- ▶ Brushed Stainless Steel 304
- ▶ Side Wall Mount
- ▶ Nylon Coated Stainless Steel Wheels for Smooth Operation
- ▶ Max Weight Load 220 lbs.
- ▶ 5 year Warranty
- ▶ Order Two Sets for Bi-parting Applications



### STAINLESS STEEL TOP MOUNT ROUND TRACK SYSTEM

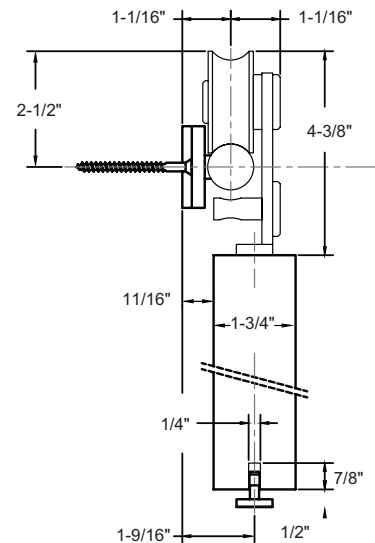
SKU	TRACK LENGTH
SLSSI-6	78 3/4"
SLSSI-8	98 7/16"

#### Complete Kits Include:

- |             |                 |
|-------------|-----------------|
| (1) Track   | (2) Door Stops  |
| (2) Hangers | (1) Floor Guide |

SLSSI-6 includes: (5) Wall Attachments

SLSSI-8 includes: (6) Wall Attachments



### STAINLESS STEEL TOP MOUNT ROUND TRACK SYSTEM (WITH SOFT CLOSE)

SKU	TRACK LENGTH
SLSSI-6-SC*	78 3/4"
SLSSI-8-SC*	98 7/16"

\* Soft Close / Open Hardware is Included for Both Directions in Addition to the SLSSI-6 and SLSSI-8 Complete Kit Contents

