



For the complete list of Stainless Steel Sliding Door Hardware, the most up-to-date product information and installation instructions, scan the QR code or visit ngp.com.



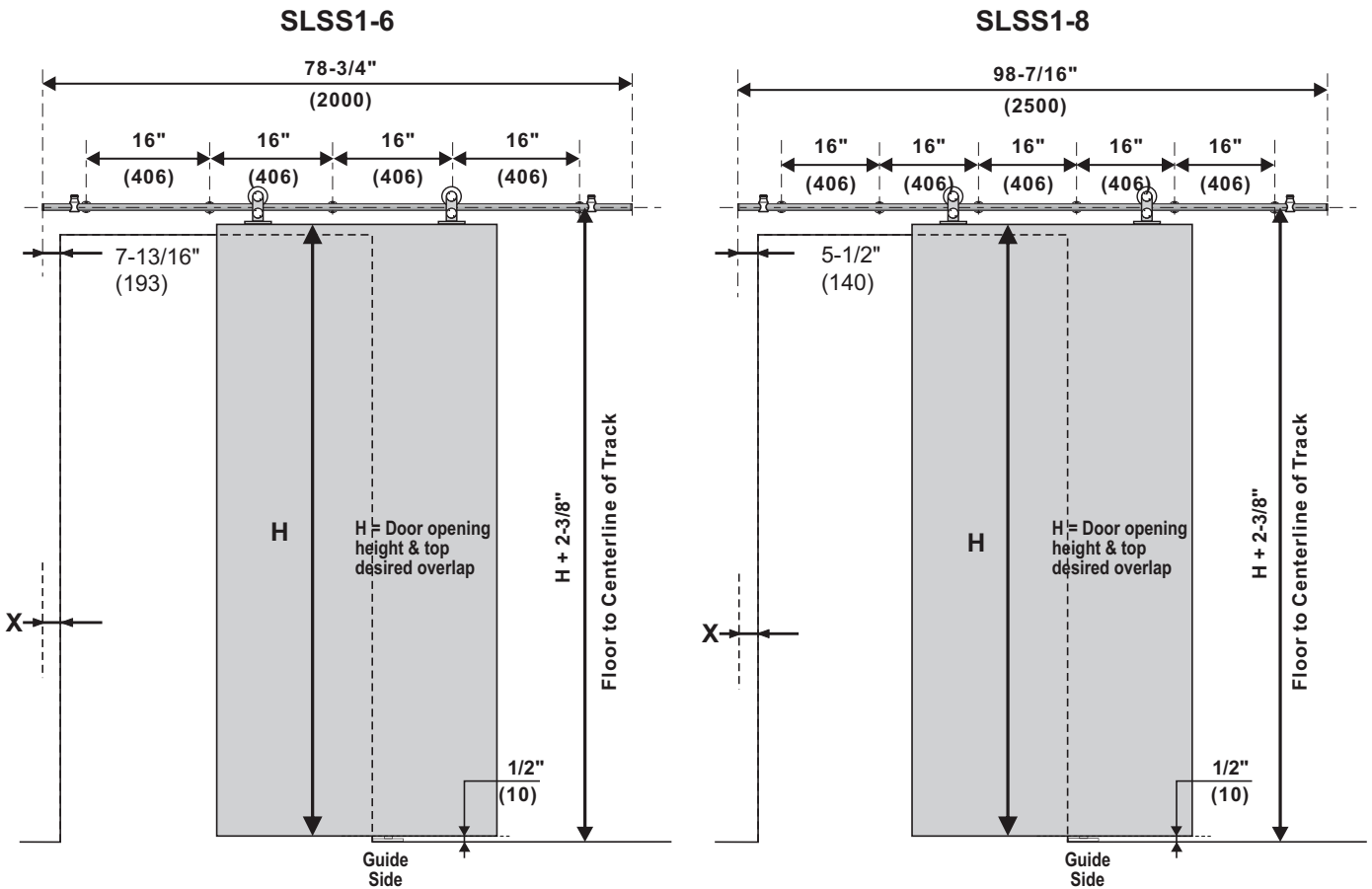
SLSS1-6, SLSS1-8

Stainless Steel Sliding Door Hardware

INSTALLATION INSTRUCTION

WARNING: Must be installed into wall blocking.

If you have questions about what type of wall blocking is required, consult a structural engineer.



Tools Required:

For low ceilings

Ø8 5/16"
Ø10 25/64"
11/64"

Dimensions shown: Inches (mm)
Notes:
1. "X" = Door Overlap (2" overlap recommended)
2. Minimum door overlap on guide side is 2" (51).
3. Must be installed into wall blocking. If you have questions about what type of wall blocking is required, consult a structural engineer.
4. IMPORTANT: If bracket fasteners are loosened, they must be re-tightened using a minimum of 11 ft. lb. of torque.

Parts:

2M Track (x1)
2.5M Track (x1)

M6 x 70(x4) wood screw threaded to the head

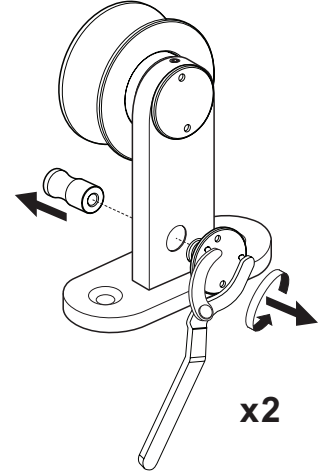
(A) (x2)

(B) (x5)
(C) (x5)
(D) M6x10 (x10)
(E) M6x70 (x5)
(F) M6x70 (x6)
(G) 6mm (x1)
(H) 4mm (x1)
(I) 3mm (x1)
(J) (x1)
(K) (x1)
(L) (x2)
ST4.2x25 (x2)

Option: 3 1/2" x #14 wood screw

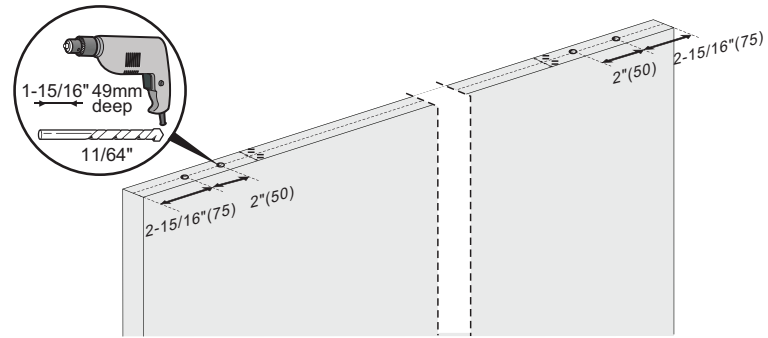
1. Prepare Hanger

Remove anti-rise pin from hanger using tool provided.



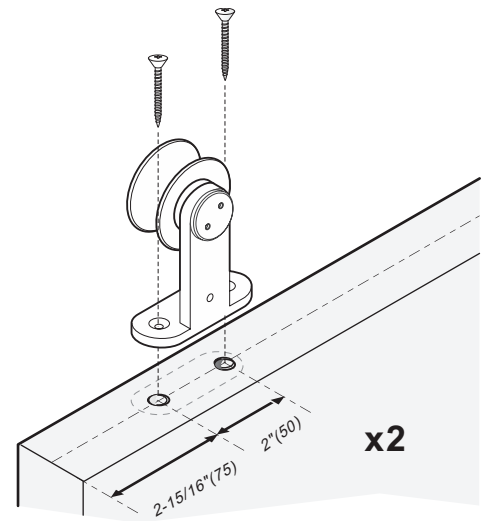
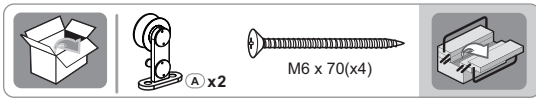
2. Prepare Door for Hangers

Drill four holes for two hangers.



3. Mount Hangers to Door

Attach hangers to door.

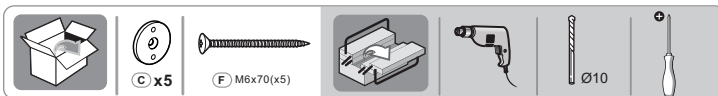
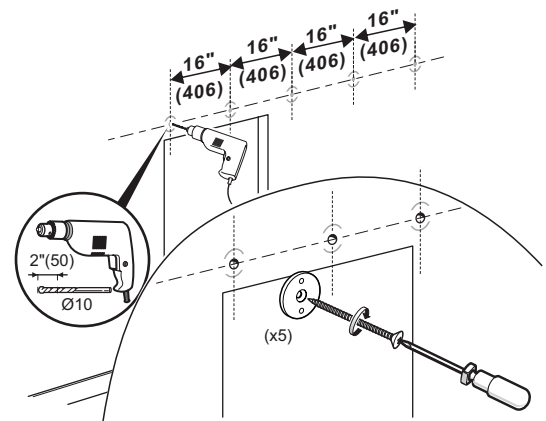


4. Attach Brackets

Locate centerline of track as shown on first page. Using a level, mark a horizontal line twice the door width long. Mark bracket screw locations, as shown on first page, into WALL BLOCKING. Attach wall portion of brackets as shown.

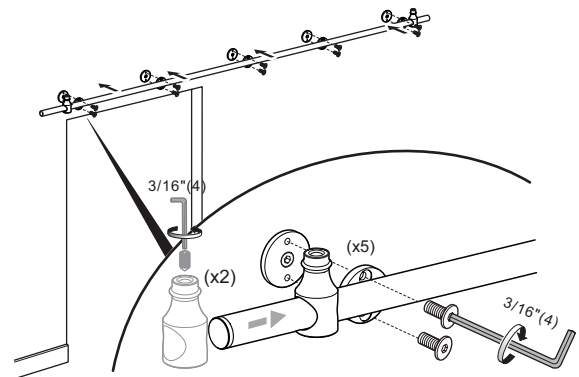
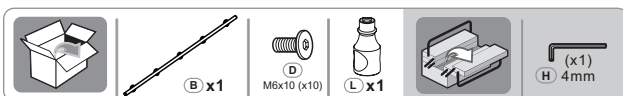
Optional drywall spacers SLSS-DWS

If using drywall spacers: use 3/4" drill bit to remove gypsum board at bracket locations. Use appropriate thickness spacers to replace gypsum board removed and seat against blocking.



5. Secure Track

Attach track to wall brackets as shown. Insert stops into track ends.

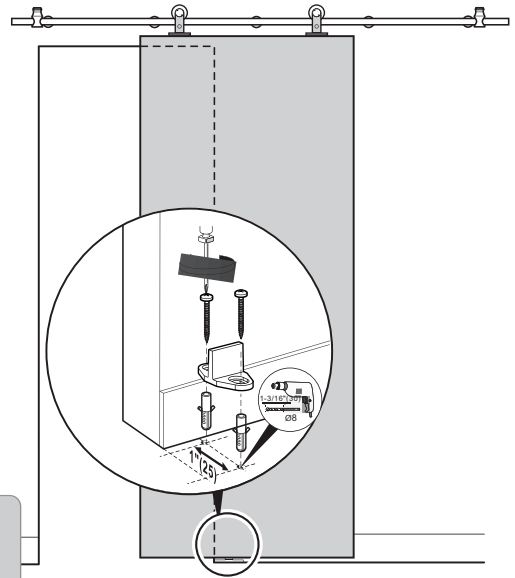
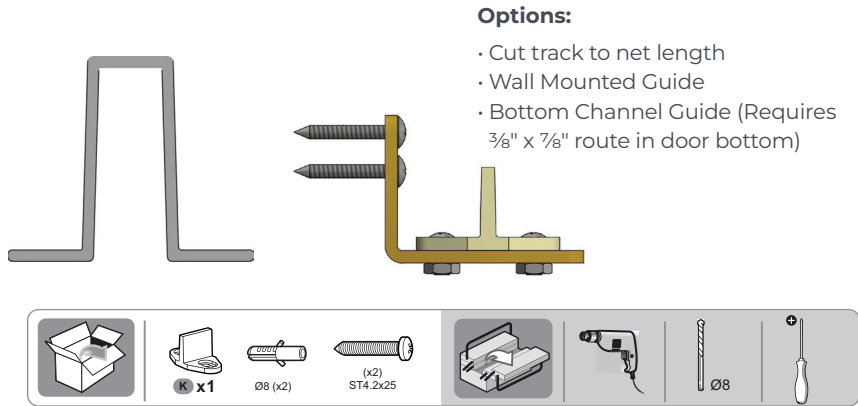


6. Fit Door Guide to Floor

Mark for position of door guide.

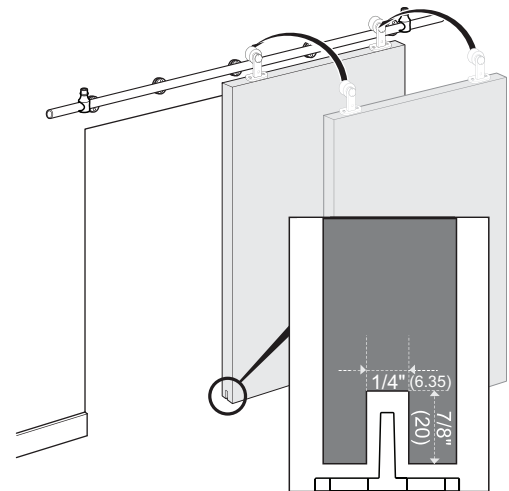
Check post fasteners for tightness.

Mount door guide to floor with anchors and 2 ST4.2x25 screws.



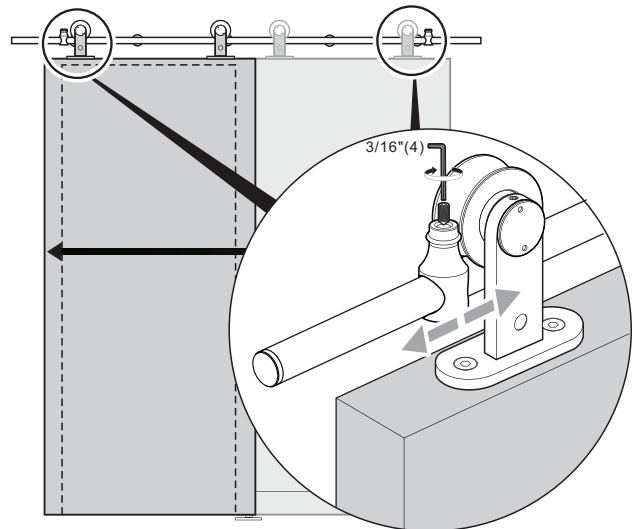
7. Hang Door

Route bottom of door to receive floor mounted guide as shown. Lift door onto track. Make adjustments to hanger so that door is plumb.

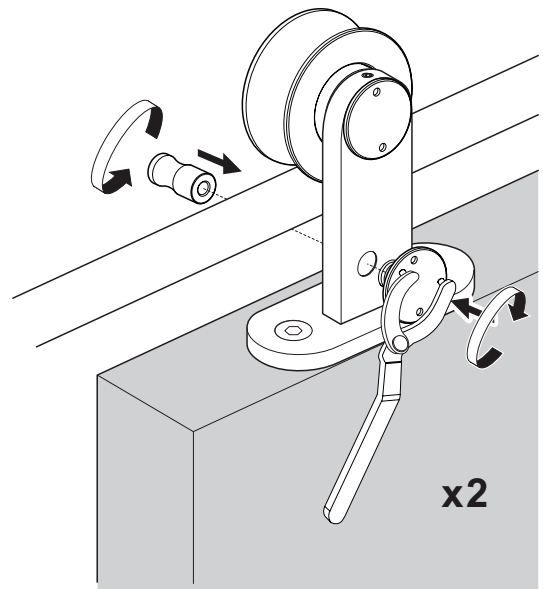
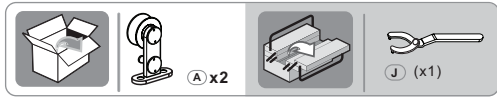


8. Adjust Stops

Adjust stops accordingly. Tighten set screw with sufficient force to drive set screw into bar after final adjustment.



9. Re-attach Anti-Rise Pins into Hangers



NGP-SLI-SLSSI-6_SLSSI-8-PRI-0426-A



NATIONAL GUARD PRODUCTS, INC.

MEMPHIS

4985 East Raines Road
Memphis, TN 38118
orders@ngp.com

CARSON CITY

3689 Arrowhead Drive
Carson City, NV 89706
carsonorders@ngp.com

Fax: (800) 255-7874
Email: info@ngp.com
Quotes: quotes@ngp.com

ngp.com
1-800-NGP-RUSH