

BARN DOOR SIDE MOUNT

SLIDING DOOR HARDWARE

- ▶ Fits 1 $\frac{3}{8}$ " To 1 $\frac{3}{4}$ " Thick Door Panel
- ▶ Brushed Stainless Steel 304
- ▶ Side Wall Mount
- ▶ Nylon Coated Stainless Steel Wheels for Smooth Operation
- ▶ Max Weight Load 220 lbs.
- ▶ 5 year Warranty
- ▶ Order Two Sets for Bi-parting Applications



STAINLESS STEEL SIDE MOUNT ROUND TRACK SYSTEM

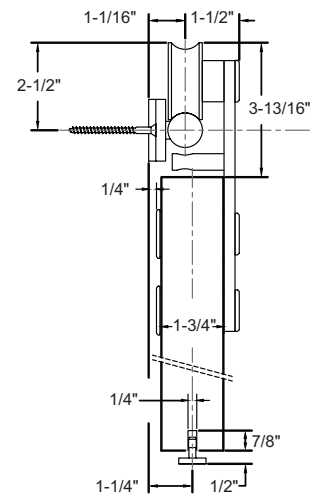
SKU	TRACK LENGTH
SLSS2-6	78 $\frac{3}{4}$ "
SLSS2-8	98 $\frac{7}{16}$ "

Complete Kits Include:

- | | |
|-------------|-----------------|
| (1) Track | (2) Door Stops |
| (2) Hangers | (1) Floor Guide |

SLSS2-6 includes: (5) Wall Attachments

SLSS2-8 includes: (6) Wall Attachments



STAINLESS STEEL SIDE MOUNT ROUND TRACK SYSTEM (WITH SOFT CLOSE)

SKU	TRACK LENGTH
SLSS2-6-SC*	78 $\frac{3}{4}$ "
SLSS2-8-SC*	98 $\frac{7}{16}$ "

* Soft Close / Open Hardware is Included for Both Directions in Addition to the SLSS2-6 and SLSS2-8 Complete Kit Contents

