



# SLSS2-8

## Stainless Steel Sliding Door Hardware — Barn Door Side Mount

### PRODUCT CUT SHEET

PROJECT:
SUBMITTED BY:
DATE:
NOTES:

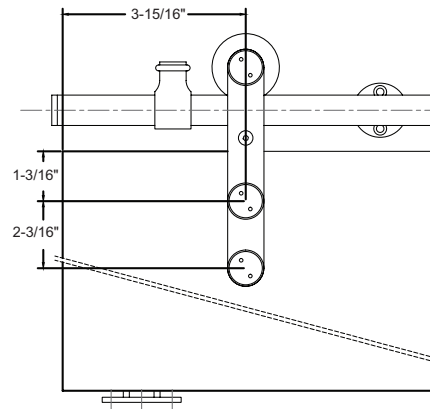
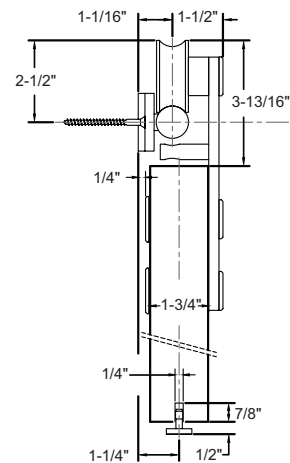
#### Side Mount Round Track System — Track Length 98 7/16"

- Fits 1 3/8" To 1 3/4" Thick Door Panel
- Brushed Stainless Steel 304
- Side Wall Mount
- Nylon Coated Stainless Steel Wheels for Smooth Operation
- For Sliding Doors up to 220 lbs. Each
- Meets ADA Push Force Requirements
- 5-Year Warranty
- Order Two Sets for Bi-Parting Applications

#### Complete Kits Include:

- |             |                 |
|-------------|-----------------|
| (1) Track   | (2) Door Stops  |
| (2) Hangers | (1) Floor Guide |

SLSS2-8 includes: (6) Wall Attachments



NGP-SLI-SLSS2-8-PCS-0424-A

#### NATIONAL GUARD PRODUCTS, INC.

##### MEMPHIS

4985 East Raines Road  
Memphis, TN 38118

##### CARSON CITY

3689 Arrowhead Drive  
Carson City, NV 89706

Fax: (800) 255-7874

Email: info@ngp.com

Quotes: quotes@ngp.com

Orders: orders@ngp.com

**ngp.com**  
1-800-NGP-RUSH