

# SOLID METAL ASTRAGALS

- ▶ 1/16" Thick Lead Insert Available – Specify "Lead-Lined"
- ▶ Available with SNB, Specify

## 139SP Steel Prime Coat

## 139SPDKB Steel Dark Bronze



Furnished with #12 x 1 1/4" SMS.  
Can Replace Astragal Required by the Door Manufacturer on Wood or Metal Fire-Rated Doors. IBC, NFPA80, NFPA 252 Require the Gap at the Meeting Edge Between Fire Labeled Doors Must Not Exceed 1/8". Astragal Must Overlap Gap and Inactive Door Minimum of 3/4".

## 139A Anodized Aluminum

## 139DKB Aluminum Dark Bronze / Black Anodized

#10 x 3/4" SMS Furnished

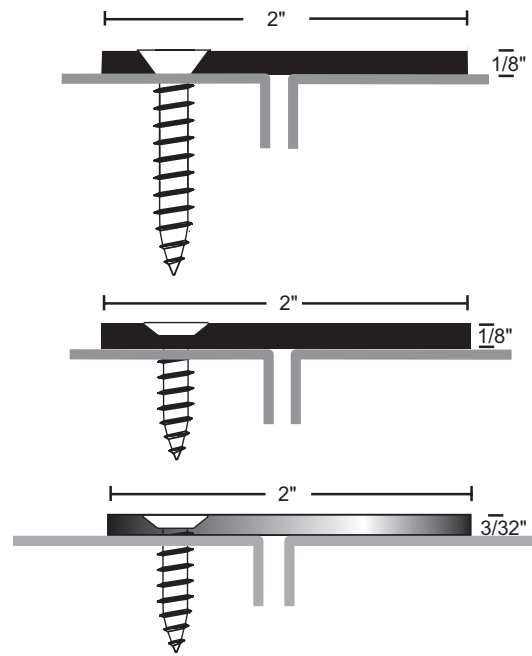
## 139SS Stainless Steel

Type 304 Brushed #4 Finish (US32D, 630)

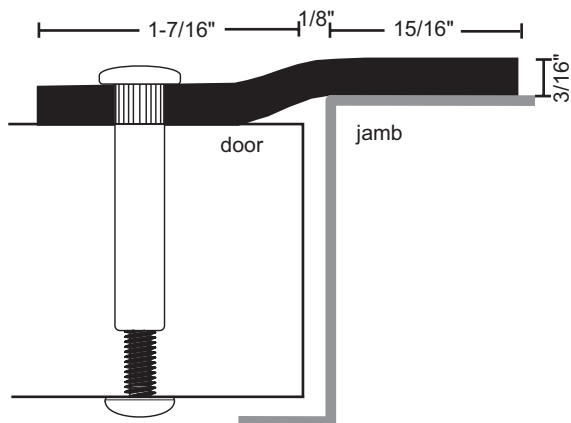
#10 x 3/4" SMS Furnished



**139SP**  
Steel Astragal



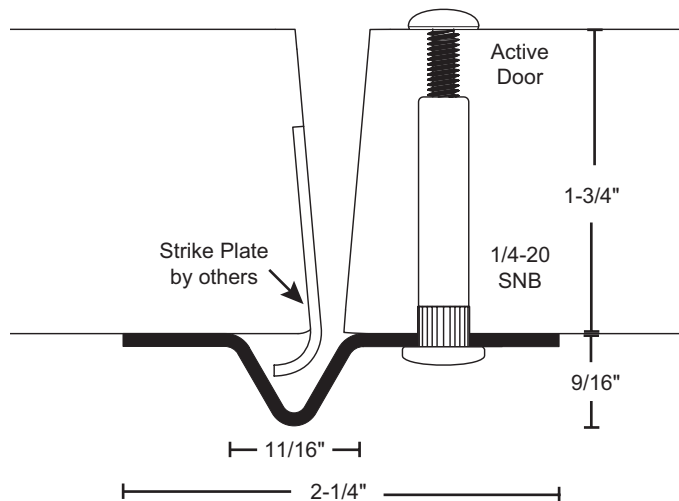
# STEEL SECURITY ASTRAGALS



## 1392SP Steel Prime Coat



Maximum Height 120"  
#1/4-20 SNB's Furnished



## 1390SP-83-1/8" 14 Ga. Galvanneal Steel

No Notching or Field Cutting  
Needed for Curved Lip Strikes

## 1390SP-95-1/8" Prime Coat

