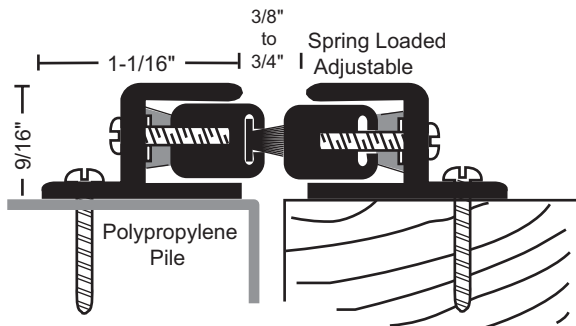


# SPRING ADJUSTABLE ASTRAGAL SETS

- Adjustment Screws on 10" Centers Allow Adjustment of the Seal Without Re-Positioning Mounting Location
- Spring-Loaded to Maintain Constant Pressure for the Most Effective Seal



**140PA**  
Anodized Aluminum  
Spring Loaded Pile  
Astragal

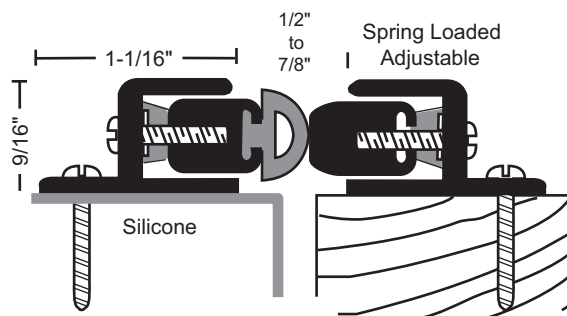


**140PA**  
**140PDKB**  
Pile is Gray

Provided as Two-Piece Set

PRODUCT# SUFFIX	FINISH
<b>A</b>	Anodized Aluminum
<b>DKB</b>	Dark Bronze / Black Anodized
<b>None</b>	Mill Aluminum

*Pile is Gray  
Silicone is Black*



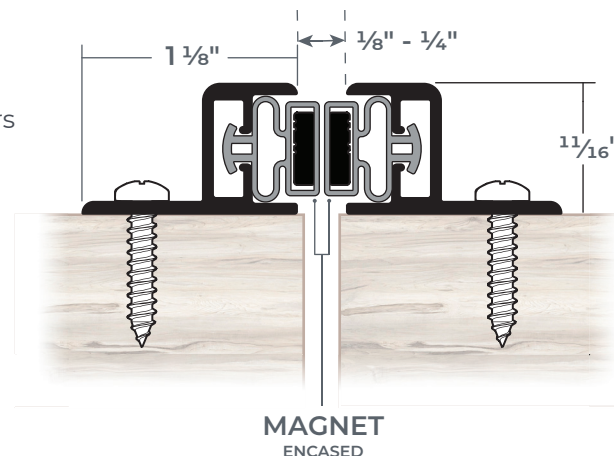
**140SA**  
**140SDKB**  
Silicone is Black



Provided as Two-Piece Set

# MAGNETIC ASTRAGAL SETS

- #6 x 3/4" Stainless Steel SMS Furnished
- Screw Holes are Slotted for Adjustment
- Maximum Length 120"
- Not Recommended for Use on Metal Doors



**149MA**  
**149MDKB**

Provided as Two-Piece Set  
Magnet Encased in Black Vinyl

**MAGNET**  
ENCASED