



*Up to 90 Minutes

FOR 3/4" AND THICKER DOORS

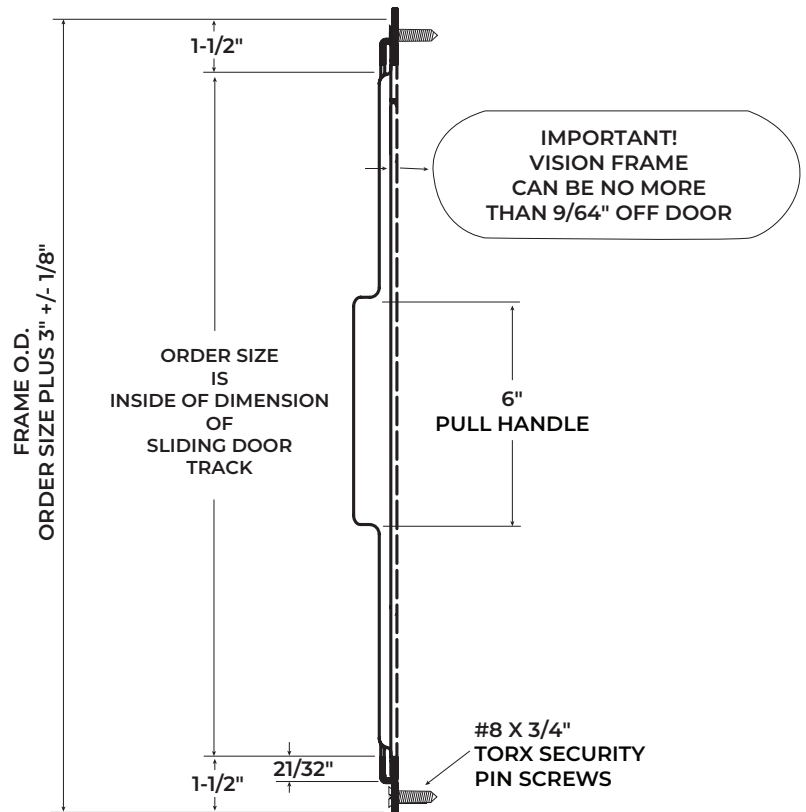
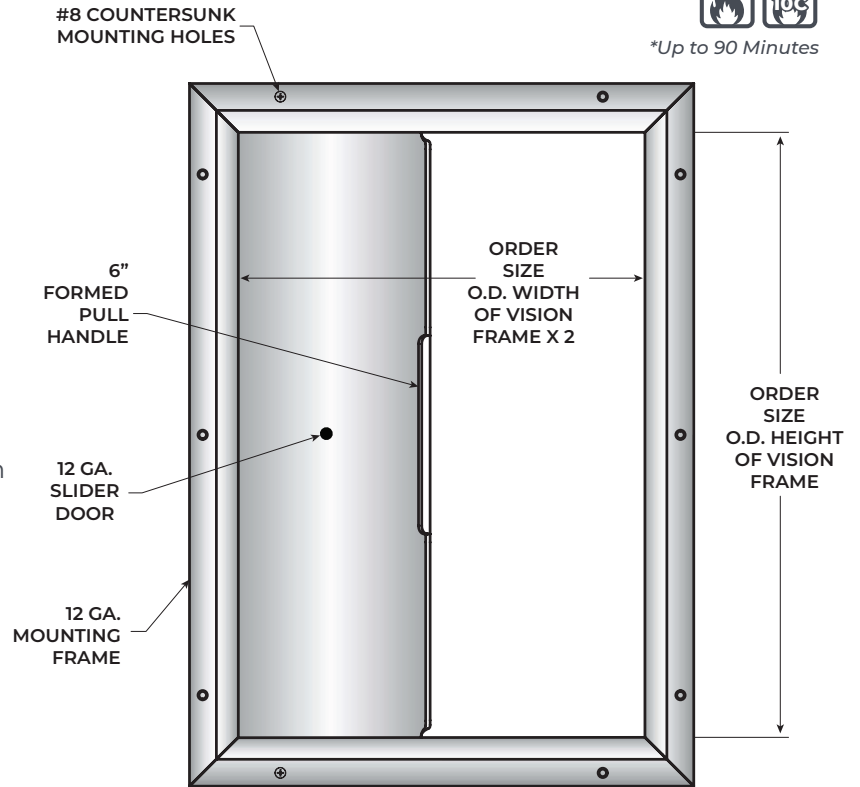
- ▶ 12 Ga. Hot Rolled Pickled & Oiled Steel Channel Frame and Sliding Door with Formed Pull Handle
- ▶ Mitered and Welded Corners
- ▶ Countersunk Mounting Screw-Holes
- ▶ #8 x 3/4" Torx Security Pin Screws
- ▶ Gray Primer (GPZ) Powder Coat Finish
- ▶ Maximum Size Available 36" x 36"
 - + 20 or 45 Minutes Fire-Rated = 1296 Sq. In. Visible Glass Max. 36" Maximum Width or Height
 - + 60 or 90 Minutes Fire-Rated = 100 Sq. In. Visible Glass Max

Order Size

- ▶ Width = Outside Dimension of Vision Frame/Lite Kit x 2
- ▶ Height = Outside Dimension of Vision Frame/Lite Kit
- ▶ Refer to order forms on ngp.com

Available Options

- ▶ Powder Coat Color Options - See Page L3



Not To Scale

Designed for Use on Doors Manufactured Within Door Industry Tolerance of +/- 1/16".