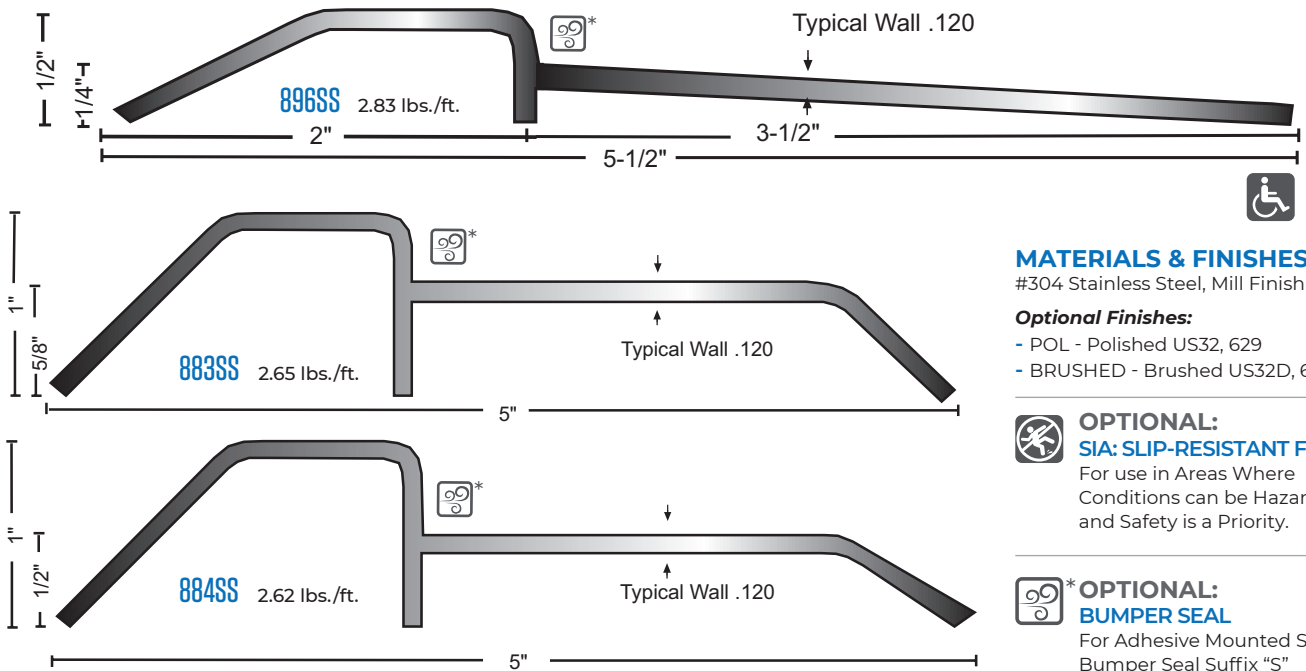


# STAINLESS STEEL

## BUMPER SEAL THRESHOLDS

All Products On This Page



### MATERIALS & FINISHES

#304 Stainless Steel, Mill Finish

#### Optional Finishes:

- POL - Polished US32, 629
- BRUSHED - Brushed US32D, 630



#### OPTIONAL:

### SIA: SLIP-RESISTANT FINISH

For use in Areas Where Conditions can be Hazardous and Safety is a Priority.



#### OPTIONAL:

### BUMPER SEAL

For Adhesive Mounted Silicone Bumper Seal Suffix "S"



# STAINLESS STEEL

## COVER PLATE

- ▶ PVC Coating Applied to Protect the Finish During Shipping and Installation.
- ▶ Square Cut Edges Standard. Specify if Beveled Edge is Required.
- ▶ Furnished Undrilled Although Custom Drilling is Available to Your Detail.
- ▶ Minimum Width 3" on 818SS and 4" on 814SS.
- ▶ #10 X 1 1/2" Stainless Steel Wood Screws Furnished.

### MATERIALS & FINISHES

#304 Stainless Steel, Mill Finish

#### Optional Finishes:

- POL - Polished US32, 629
- BRUSHED - Brushed US32D, 630



#### OPTIONAL:

### SIA: SLIP-RESISTANT FINISH

For use in Areas Where Conditions can be Hazardous and Safety is a Priority.

**Beveled Edges**  
(Available at Extra Charge)

