

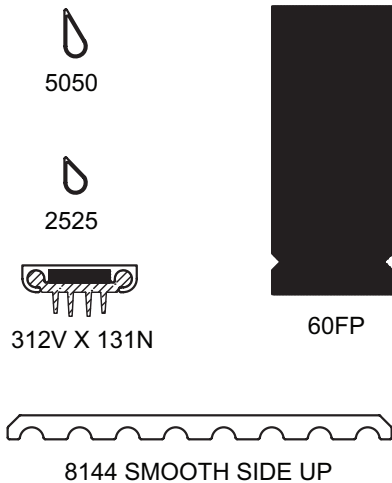


NATIONAL GUARD
PRODUCTS

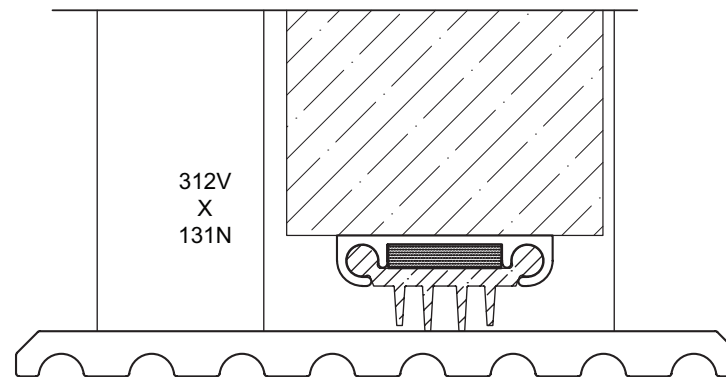
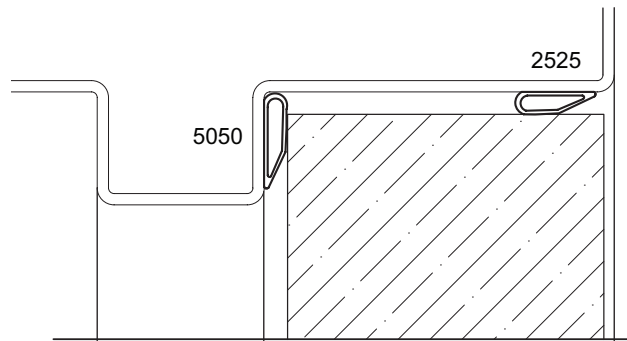
NGP STC SEAL SET #1 FOR USE WITH STC 33 AND BELOW

LIST OF MATERIALS

ITEM	LOCATION
5050	JAMBS & HEADER
2525	JAMBS & HEADER
60FP (2 req.)	FRAME, LOWER CORNERS
312V X 131N	DOOR BOTTOM
8144S	THRESHOLD (OPTIONAL)

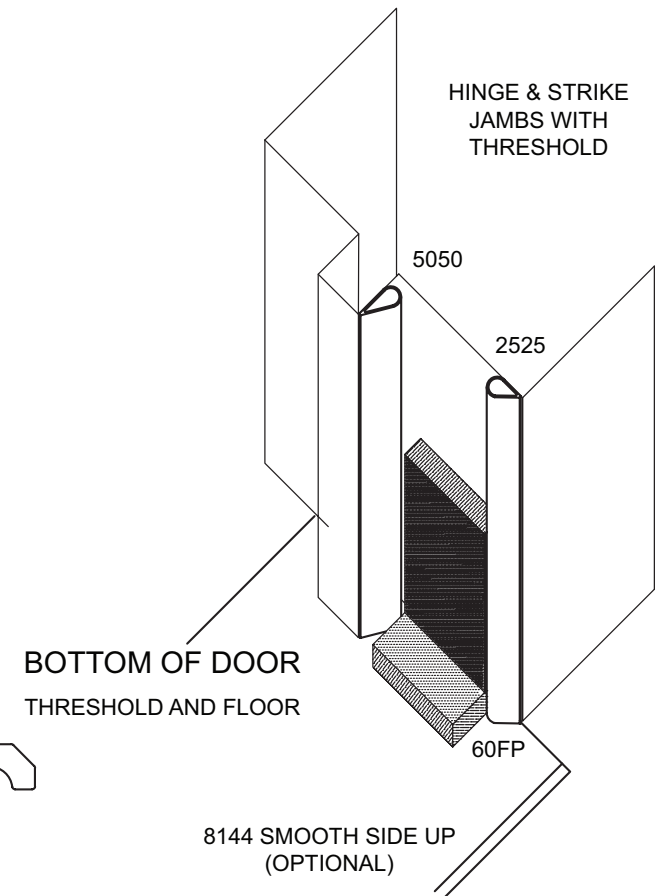


TOP OF FRAME
HEADER / JAMB AND DOOR



8144 SMOOTH SIDE UP
(OPTIONAL)

Project:
Submitted by:
Date:
Notes:





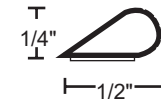
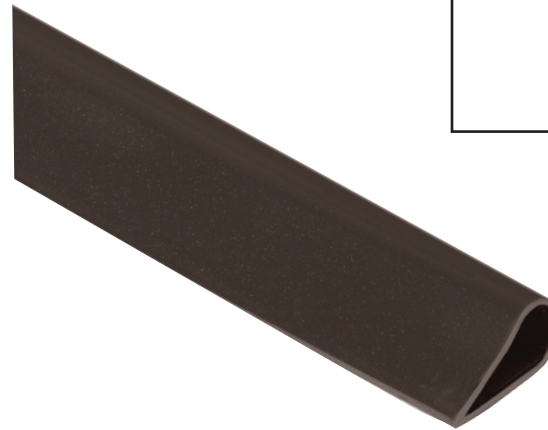
Silicone Bulb Fire and Smoke Seal 5050





Material
Synthetic rubber polymer: Siloxane
Self-Adhesive

- Excellent flexibility and memory
- Flame resistant
- Moisture resistant
- Temperature range -100°F to 500°F, remains flexible at extreme temperatures
- Excellent resistance to ozone, UV and aging
- Recommended for areas using FM200 or Halon Fire Suppression Systems
- BHMA Certified to ANSI/BHMA A156.22 performance tests for heat, cold and air infiltration
- Modified acrylic pressure sensitive adhesive protected by release liner
- Provides high initial adhesion and long term holding power for permanent mounting in exterior or interior locations
- Resistant to aging, weathering, UV radiation, water, detergent, alcohol and the influence of chemicals
- End use temperature range of adhesive, long term exposure -30°F up to 250°F
- Shelf life of adhesive prior to installation is one year when stored at 75°F and 50% relative humidity or less
- Meets requirements of RoHS directive
- 1/2" wide x 1/4" tall
- Available in 17', 20', 21', 25' and 300' rolls.

Color
5050B Brown
5050C Charcoal
5050W White
5050T Tan
5050CL Clear

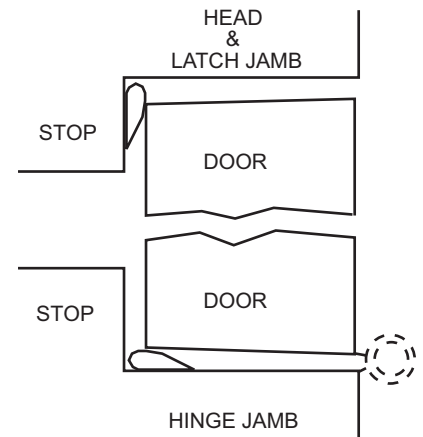


 **Edge Sealing System - Category "G"** for 20 minute rated category B wood doors perimeter application up to:
single swing 4'0" x 8'0"
pairs 8'0" x 8'0"
use 9550 at the meeting edge of pairs

 **Smoke and Draft Control - Category "H"**
Up to 3 hours Hollow Metal fire doors
Up to 90 minutes Wood fire doors

 STC 33
STC 44 - two rows

Project:
Submitted by:
Date:
Notes:





NATIONAL GUARD
PRODUCTS

Silicone Bulb Smoke Seal 2525



Material

Synthetic rubber polymer: Siloxane
Self-Adhesive Silicone

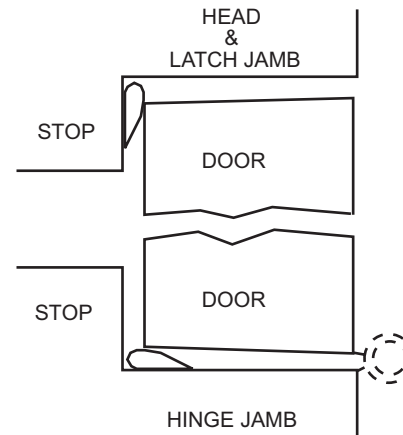
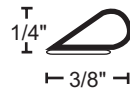
- Excellent flexibility and memory
- Flame resistant
- Moisture resistant
- Temperature range -100°F to 500°F, remains flexible at extreme temperatures
- Excellent resistance to ozone, UV and aging
- Recommended for areas using FM200 or Halon Fire Suppression Systems
- BHMA Certified to ANSI/BHMA A156.22 performance tests for heat, cold, air infiltration and smoke infiltration
- Modified acrylic pressure sensitive adhesive protected by release liner
- Provides high initial adhesion and long term holding power for permanent mounting in exterior or interior locations
- Resistant to aging, weathering, UV radiation, water, detergent, alcohol and the influence of chemicals
- End use temperature range of adhesive, long term exposure -30°F up to 250°F
- Shelf life of adhesive prior to installation is one year when stored at 75°F and 50% relative humidity or less
- 3/8" wide x 1/4" tall
- Available in 17', 20', 21', 25', 300' rolls

Color

2525B	Brown
2525C	Charcoal
2525W	White



Project:
Submitted by:
Date:
Notes:



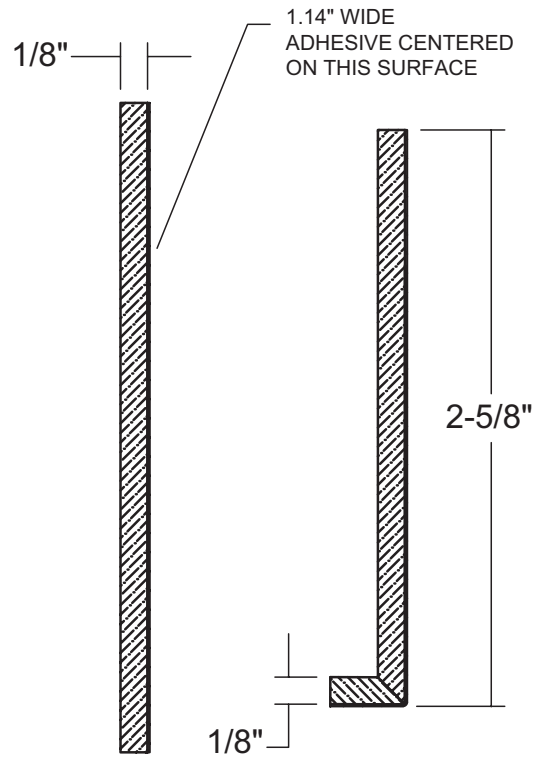
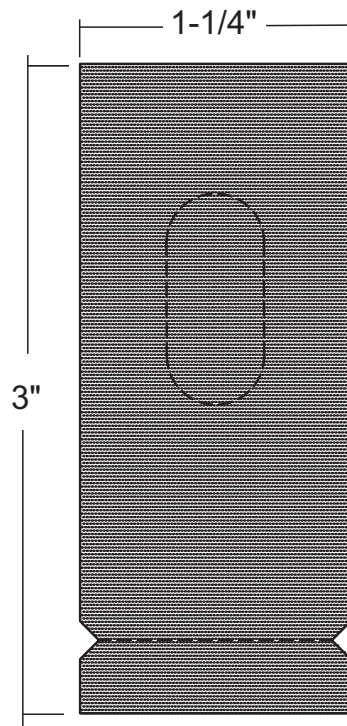


STC Rated Acoustical Foam Pad 60FP

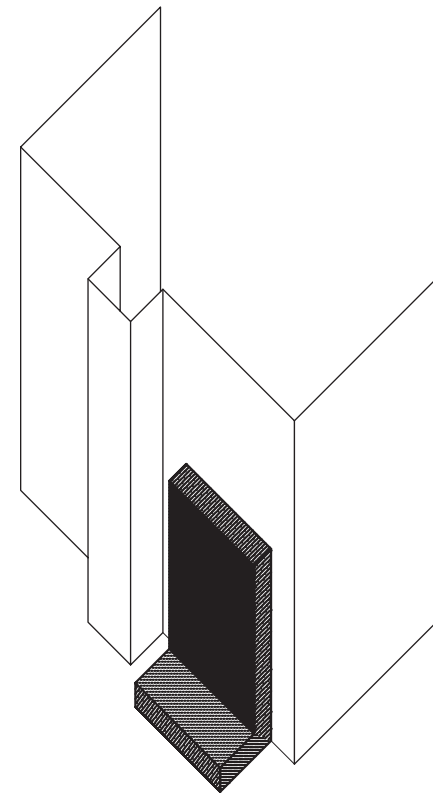
Material
Foam seal self adhesive

- Helps acoustics and seals at corner gap
- Apply to jambs on hinge and strike side

Color
Black



Project:
Submitted by:
Date:
Notes:



Installed View



Acoustical Door Shoe

312V X 131N



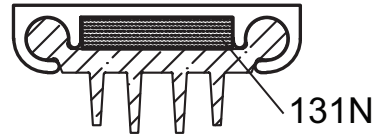
Material

Aluminum alloy 6063, T5 temper
Thermoplastic polymer: Polyvinyl Chloride (PVC) formulated with an environmentally friendly Bio-based plasticizer
Vinyl is gray

- Economical
- Flame resistant
- Moisture resistant
- Temperature range 0°F to 140°F
- Oxidative degradation from age and exposure to cold, heat and UV causes hardening, loss of memory and resilience, cracking, crazing and discoloration
- #6 x 3/4" stainless steel SMS furnished
- Screw holes slotted for adjustment

Finishes

312V X 131N Mill Aluminum
312VDKB X 131N Dark Bronze



Project:
Submitted by:
Date:
Notes:



NATIONAL GUARD
PRODUCTS

Custom Fabricated Threshold Component

8144




Materials & Finishes

Aluminum alloy 6063, T5 temper

Mill finish

DKB - dark bronze finish

- 4" wide x 1/4" tall
- BHMA certified to ANSI/BHMA A156.21 1,000 lb. load test
- Weight: 1.00 lbs./ft.
- Fluted top
- #10 FH zinc plated wood screws included

 Optional Slip Resistant SIA Finish



Project:

Submitted by:

Date:

Notes: