



NATIONAL GUARD  
PRODUCTS

# NGP STC SEAL SET #6 FOR USE WITH STC 52 AND BELOW

## LIST OF MATERIALS

ITEM	LOCATION
5075	JAMBS & HEADER
5060	JAMBS & HEADER
896S-ADJ	ADJUSTABLE BUMPER THRESHOLD



5075

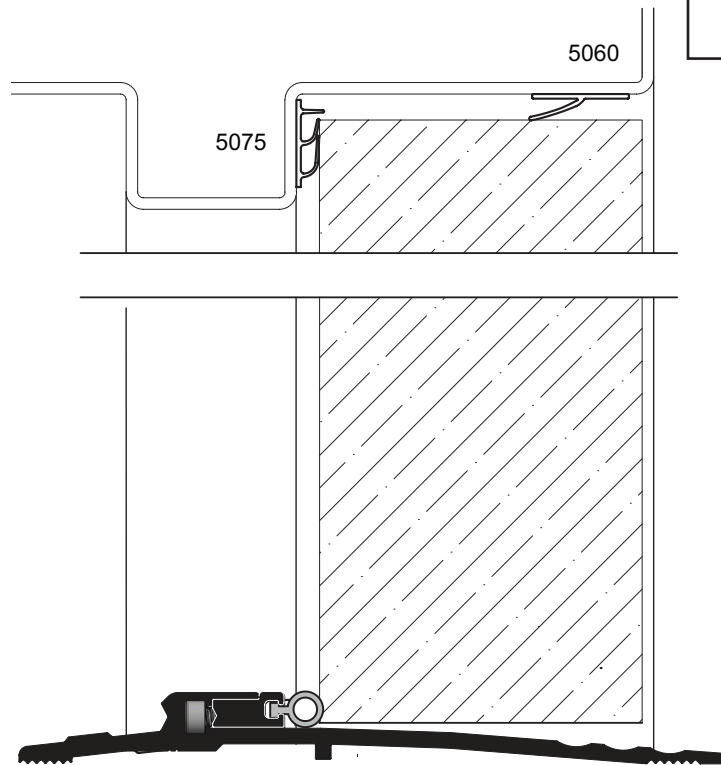


5060



896S-ADJ

TOP OF FRAME  
HEADER / JAMB AND DOOR



896S-ADJ\* BUMPER THRESHOLD

\*ADA bumper style threshold, requires 3/8" undercut on doors

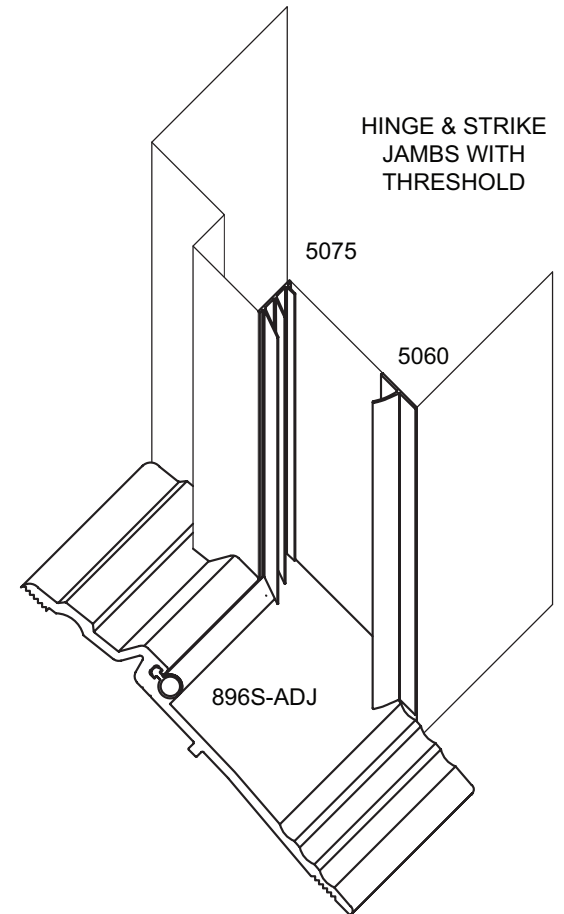
Project:

Submitted by:

Date:

Notes:

HINGE & STRIKE  
JAMBS WITH  
THRESHOLD





NATIONAL GUARD  
PRODUCTS

# TPE Triple Fin Smoke Seal 5075

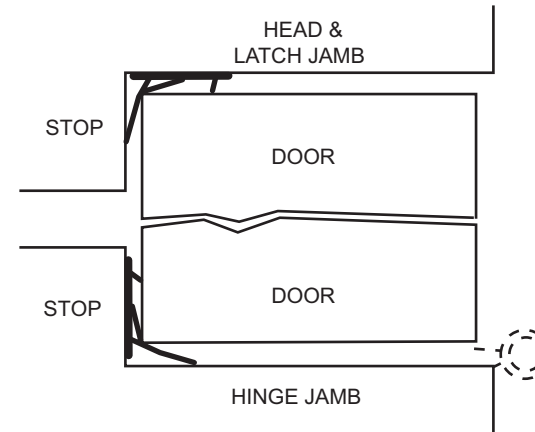
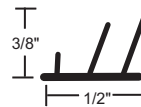


**Material**  
Self-Adhesive Thermo-Plastic Elastomer (TPE)

- Good abrasion resistance
- Moisture resistant
- BHMA certified to ANSI/BHMA A156.22 performance tests for heat, cold, air infiltration and smoke infiltration
- Rigid PVC base with flexible elastomeric fins
- Flame resistant
- Temperature range -60°F to 275°F
- Anti-microbial: treated with an anti-microbial additive to inhibit the growth of microorganisms
- REACH and RoHS compliant
- Modified acrylic pressure sensitive adhesive protected by release liner
- Provides high initial adhesion and long term holding power for permanent mounting in exterior or interior locations
- Resistant to aging, weathering, UV radiation, water, detergent, alcohol and the influence of chemicals
- End use temperature range of adhesive, long term exposure -30°F up to 250°F
- Shelf life of adhesive prior to installation is one year when stored at 75°F and 50% relative humidity or less
- 1/2" wide x 3/8" tall
- Available in 36", 48", 72", 84", 96" and 108" lengths

\* Anti-microbial not available in clear

**Color**  
5075B Brown  
5075CL Clear



<b>Project:</b>
<b>Submitted by:</b>
<b>Date:</b>
<b>Notes:</b>



NATIONAL GUARD  
PRODUCTS

# Silicone Fin Smoke Seal 5060



### Material

Synthetic rubber polymer: Siloxane  
Self-Adhesive Silicone

- Excellent flexibility and memory
- Flame resistant
- Moisture resistant
- Temperature range -100°F to 500°F, remains flexible at extreme temperatures
- Excellent resistance to ozone, UV and aging
- Recommended for areas using FM200 or Halon Fire Suppression Systems
- BHMA Certified to ANSI/BHMA A156.22 performance tests for heat, cold, air infiltration and smoke infiltration
- Modified acrylic pressure sensitive adhesive protected by release liner
- Provides high initial adhesion and long term holding power for permanent mounting in exterior or interior locations
- Resistant to aging, weathering, UV radiation, water, detergent, alcohol and the influence of chemicals
- End use temperature range of adhesive, long term exposure -30°F up to 250°F
- Shelf life of adhesive prior to installation is one year when stored at 75°F and 50% relative humidity or less
- 1/2" wide x 5/16" tall
- Available in 17' and 21' rolls

### Color

5060B Brown  
5060CL Clear

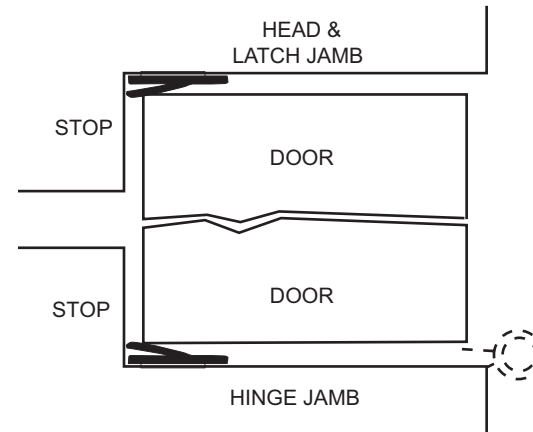
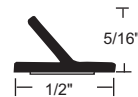


Project:

Submitted by:

Date:

Notes:





# Adjustable Bumper Seal Threshold


## 896-ADJ




### Materials & Finishes

Aluminum alloy 6063, T5 temper  
 Mill finish  
 DKB - dark bronze finish  
 Vinyl is gray  
 NGP-TPV and silicone are black

- 5" wide x 1/2" tall
- Stainless steel adjustment screws on 10" centers allow adjustment without re-positioning mounting location.
- Adjusting range 1/4"
- Weight: .78 lbs./ft.
- #10 x 1-1/2" FH zinc plated wood screws included

 (V) Vinyl Bumper Seal Standard  
 Optional: (N) NGP-TPV

(S) Silicone  STC 52

 Optional Slip Resistant  
 SIA Finish

Project:
Submitted by:
Date:
Notes:

