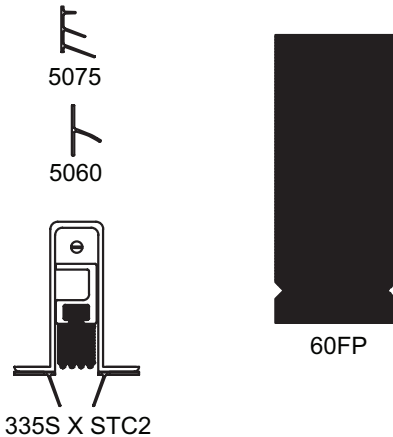
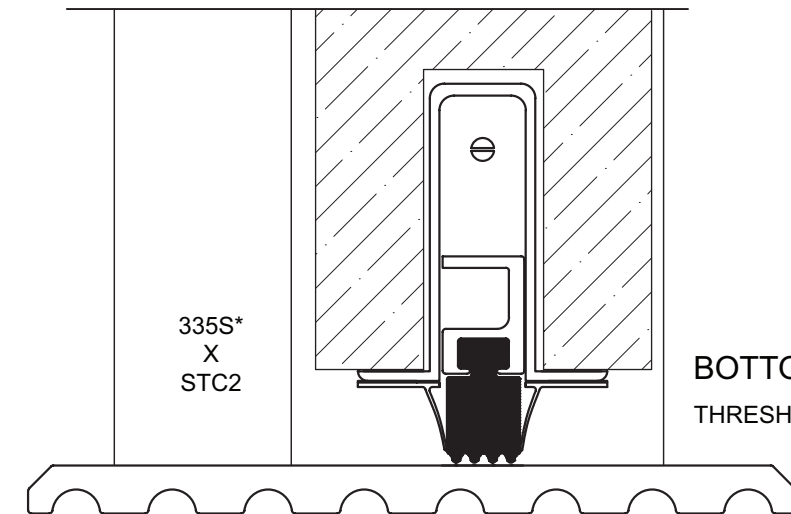
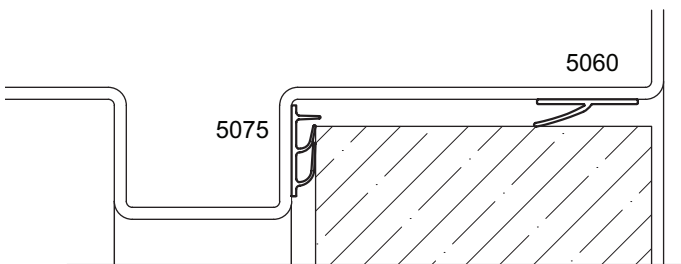


## NGP STC SEAL SET #3 FOR USE WITH STC 52 AND BELOW

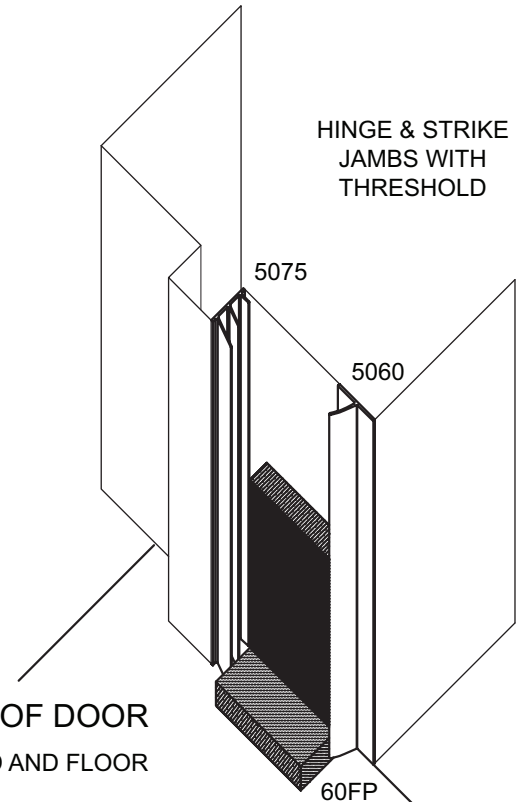
LIST OF MATERIALS	
ITEMS	LOCATION
5075	JAMBS & HEADER
5060	JAMBS & HEADER
60FP (2 req.)	FRAME, LOWER CORNERS
335S X STC2	DOOR, MORTISE ADB
8144S	THRESHOLD (OPTIONAL)



**TOP OF FRAME**  
HEADER / JAMB AND DOOR



8144 SMOOTH SIDE UP  
(OPTIONAL)



**BOTTOM OF DOOR**  
THRESHOLD AND FLOOR

8144 SMOOTH SIDE UP  
(OPTIONAL)

\*For best acoustic results a 1/4" drop is recommended; 3/8" drop maximum