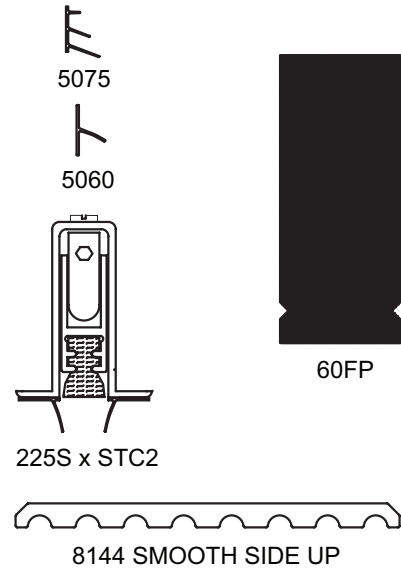
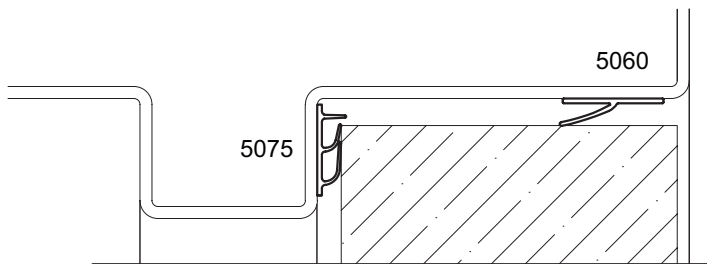


NGP STC SEAL SET #5 FOR USE WITH STC 52 AND BELOW

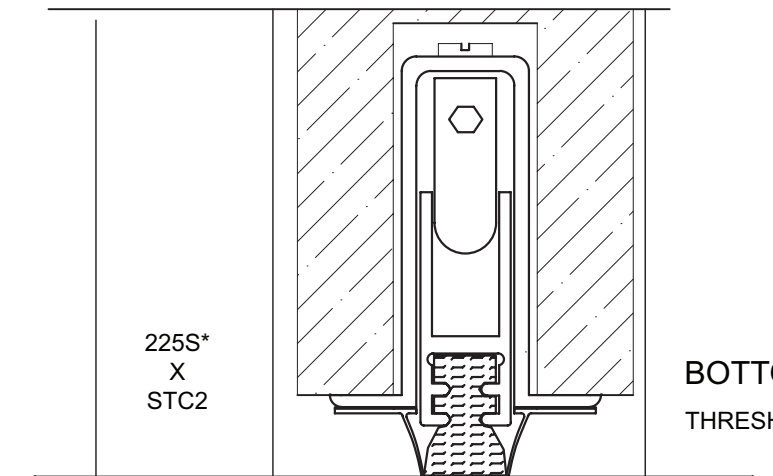
LIST OF MATERIALS	
ITEMS	LOCATION
5075	JAMBS & HEADER
5060	JAMBS & HEADER
60FP (2 req.)	FRAME, LOWER CORNERS
225S X STC2	DOOR, MORTISE ADB
8144S	THRESHOLD (OPTIONAL)



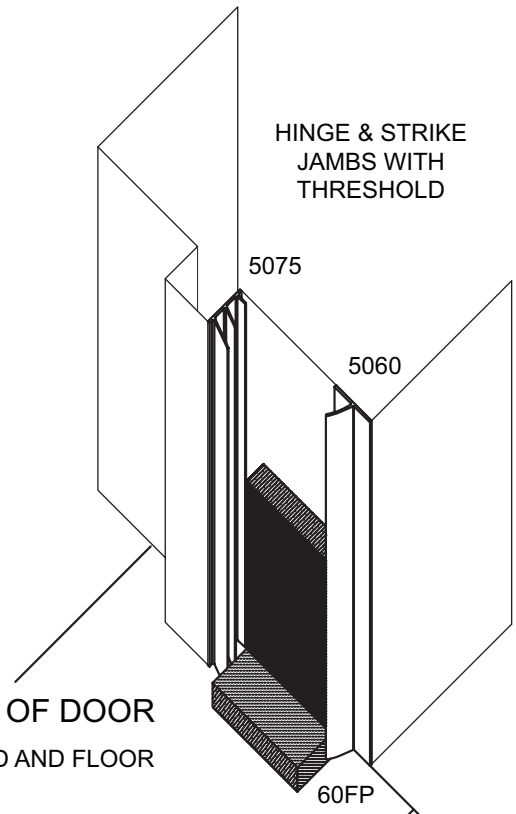
TOP OF FRAME
HEADER / JAMB AND DOOR



225S*
X
STC2



BOTTOM OF DOOR
THRESHOLD AND FLOOR



*For best acoustic results a 1/4" drop is recommended; 3/8" drop maximum