

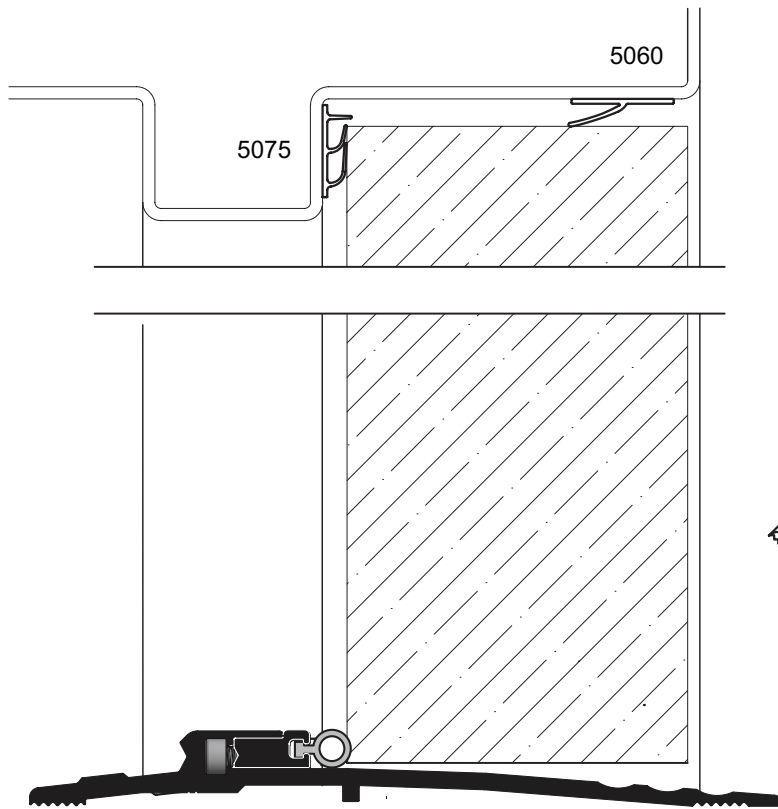
**NGP STC SEAL SET #6  
FOR USE WITH STC 52 AND BELOW**

LIST OF MATERIALS	
ITEMS	LOCATION
5075	JAMBS & HEADER
5060	JAMBS & HEADER
896S-ADJ	ADJUSTABLE BUMPER THRESHOLD



896S-ADJ

TOP OF FRAME  
HEADER / JAMB AND DOOR



896S-ADJ\* BUMPER THRESHOLD

\*ADA bumper style threshold, requires 3/8" undercut on doors

HINGE & STRIKE  
JAMBS WITH  
THRESHOLD

