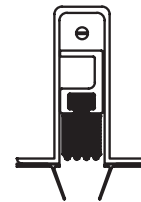


NGP STC SEAL SET #9 FOR USE WITH PAIRS OF DOORS STC 45 AND BELOW

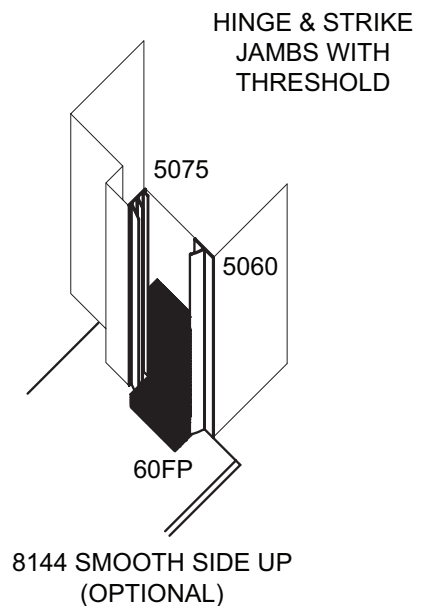
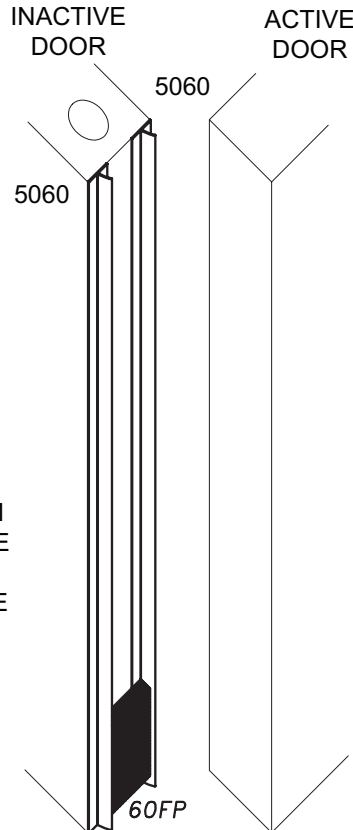
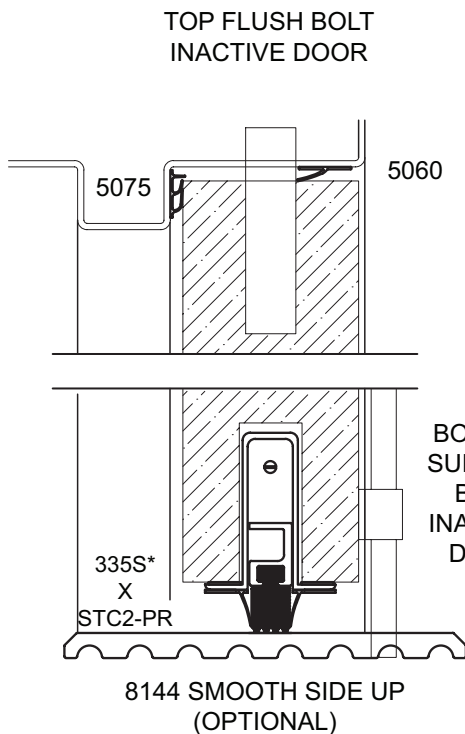
LIST OF MATERIALS	
ITEMS	LOCATION
5075	JAMBS & HEADER
5060	JAMBS & HEADER
60FP	FRAME, LOWER CORNERS
335S X STC2-PR	DOOR, MORTISE ADB WITH STC2 & FLANGE SEAL
60FP	INACTIVE DOOR, LOWER
5060	INACTIVE DOOR, 2 ROWS
8144S	THRESHOLD (OPTIONAL)



TOP OF FRAME
HEADER / JAMB AND DOOR

MEETING EDGE

335S X STC2-PR



BOTTOM OF DOORS
THRESHOLD AND FLOOR

*For best acoustic results a 1/4" drop is recommended; 3/8" drop maximum