

STORM-PRO™-HR

LOW-PROFILE HURRICANE RATED LITE KIT

FOR 1 3/4" DOORS

- ▶ 18 Ga. Galvanized Steel
- ▶ Mitered and Welded Corners
- ▶ Counter-Sunk Mounting Screw-Holes
- ▶ #8 X 1 3/4" Phillips Head SMS
- ▶ Maximum Order Size: 36' X 72"
- ▶ Available in Uneven and Fractional Sizes
- ▶ Gray Primer (GPZ) Powder Coat Finish
- ▶ 1/2" Laminated Glass: 2 pcs. 3/16" Clear Glass with Clear Bonded Laminate Center
- ▶ 5/8" x .090" Acrylic Conformable Foam Glazing Tape (Both Sides)

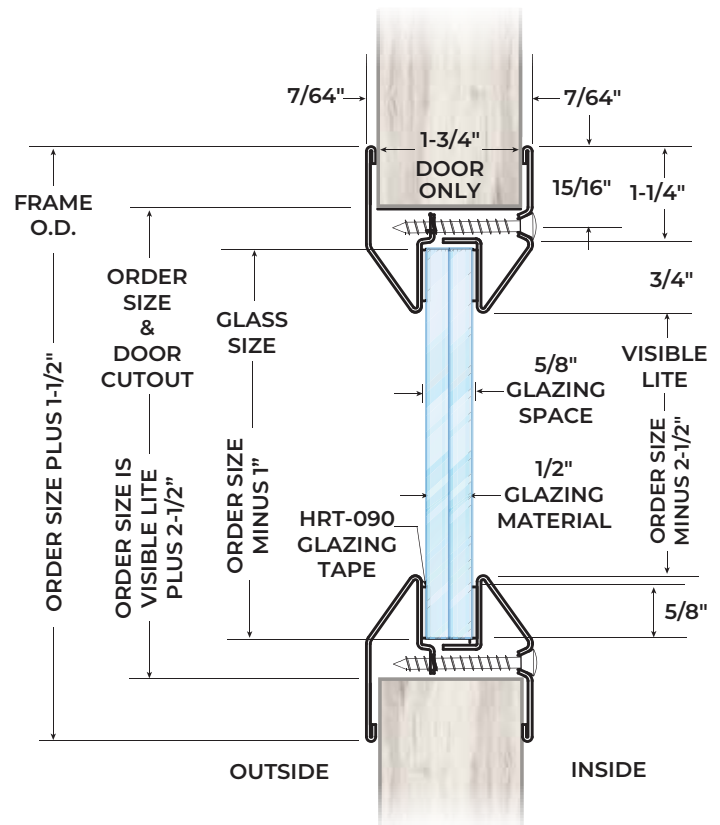
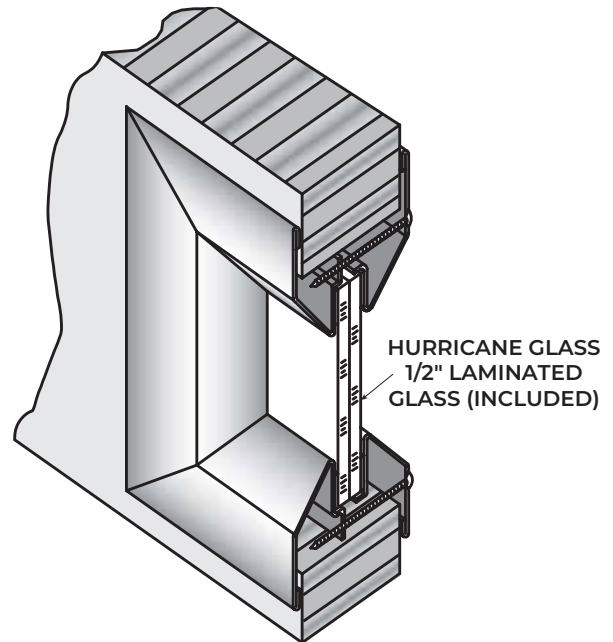
Available Options

- ▶ Powder Coat Color Options - See Page L3
- ▶ Torx Security Screws
- ▶ Zinc Electro-Plating
- ▶ Stainless Steel Type 304, #4 finish – Specify STORM-PRO™-HR-SS
- ▶ Stainless Steel Type 316, #4 finish – Specify STORM-PRO™-HR-316SS

Windstorm Rated

- ▶ Light Kit for Use in Windstorm-rated Assembly in accordance with ANSI/ASTM E330, ANSI/ASTM E1886, ASTM E1996, AAMA/WDMA/CSA 101/I.S.2/A440, FEMA 320, FEMA 361 and ICC 500.
Design Pressure = +/- 70 PSF
Large Missile Impact = 350 ft. lbs.
Hazard - Hurricane

This Product is not Rated for Use on Fire-Rated Doors



Not To Scale

Designed for Use on Doors Manufactured Within Door Industry Tolerance of +/- 1/16".