

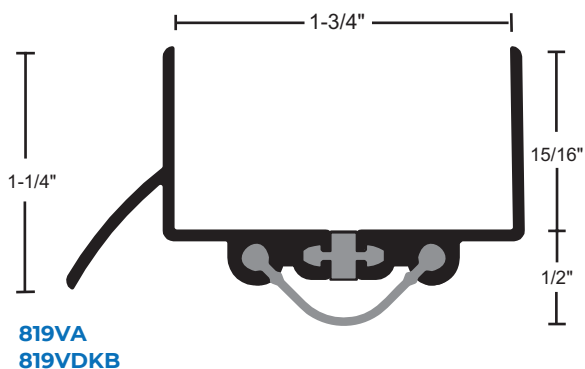


THERMAL BREAK DOOR SHOES

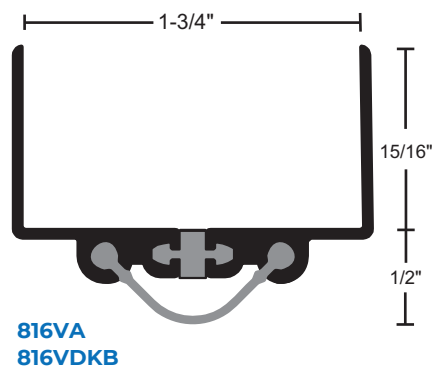
- ▶ Thermal Break Door Shoes Feature a Rigid Spline Creating a Separation to Prevent the Transfer of Outside Temperature and Frost Through the Door Shoe
- ▶ #6 X 3/4" Stainless Steel Sheet Metal Screws Furnished.
- ▶ Screw Holes Slotted for Adjustment

PRODUCT#	SUFFIX	FINISH
	A	Anodized Aluminum
	DKB	Dark Bronze
<i>Vinyl is Gray Neoprene is Black Thermoplastic is Dark Brown</i>		

819 SERIES



816 SERIES



GASKETING OPTIONS:

