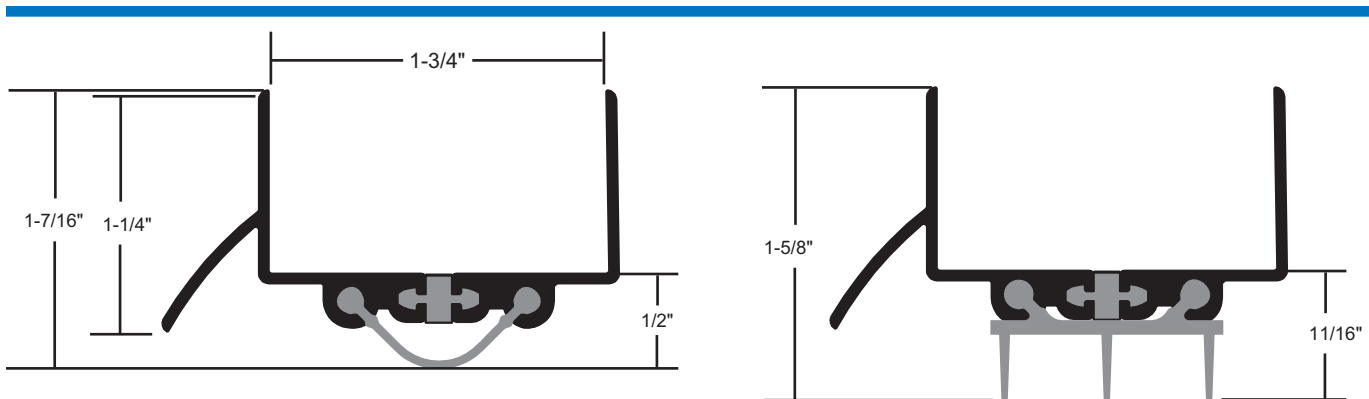


## Thermal Break Door Bottom Shoes



### INSTALLATION INSTRUCTIONS

1. Measure and cut metal retainer and gasketing insert to fit.
2. Items with drip cap should be notched to clear stops on jambs before installation.
3. Position seal on door with gasket compressed 1/16" against sill.
4. Mark screw holes.
5. Drill pilot holes with a 7/64" bit.
6. Install with screws provided.
- 7A. Slide gasketing into metal retainer.
- 7B. Models 816T, 816T6, 819T, 819T6: Slide gasketing into metal retainer until a 6" length remains out. Bend this section against the retainer to a 45° angle to create a slight bow in the material to create a tension to keep the gasketing tight, then release. Slide the rest of the way into the retainer. For extra security, repeat the bending process on opposite end.
8. Adjust height so that gasket does not impede proper closing and latching of door.